

# OKI Semiconductor

1A

## MR27V3252D

2,097,152-Word x 16-Bit or 4,194,304-Word x 8-Bit

8-Word x 16-Bit or 16-Word x 8-Bit Page Mode One Time PROM

### DESCRIPTION

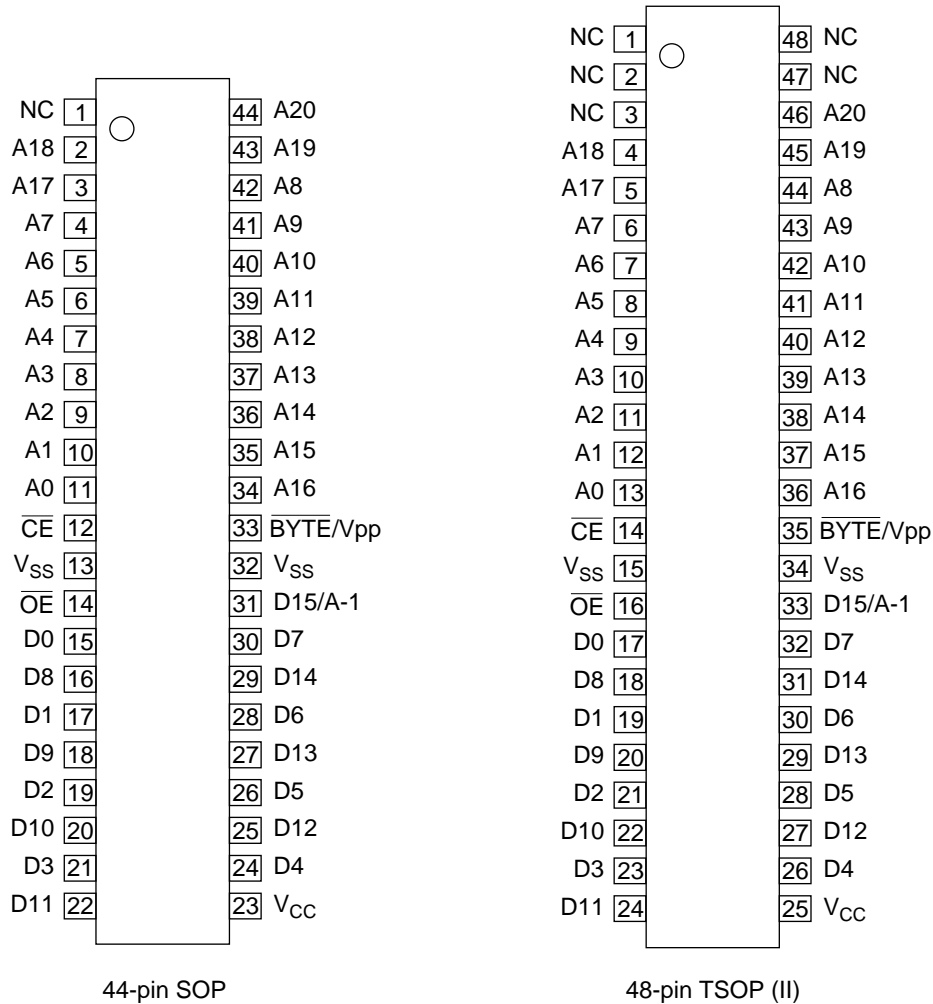
The MR27V3252D is a 32Mbit electrically Programmable Read-Only Memory with page mode. Its configuration can be electrically switched between 2,097,152 word x 16bit and 4,194,304 word x 8 bit. The MR27V3252D operates on a single +3.3V power supply and is TTL compatible. The MR27V3252D provides Page mode which can greatly reduce the read access time. Since the MR27V3252D operates asynchronously, external clocks are not required, making this device easy-to-use. The MR27V3252D is suitable as large-capacity fixed memory for microcomputers and data terminals. It is manufactured using a CMOS double silicon gate technology and is offered in 44-pin SOP or 48-pin TSOP packages.

### FEATURES

- 2,097,152 word x 16bit / 4,194,304 word x 8bit electrically switchable configuration
- Single +3.3V power supply
- Access time 100ns  
Page mode access time 30ns
- Input / Output TTL compatible
- Three-state output
- Packages

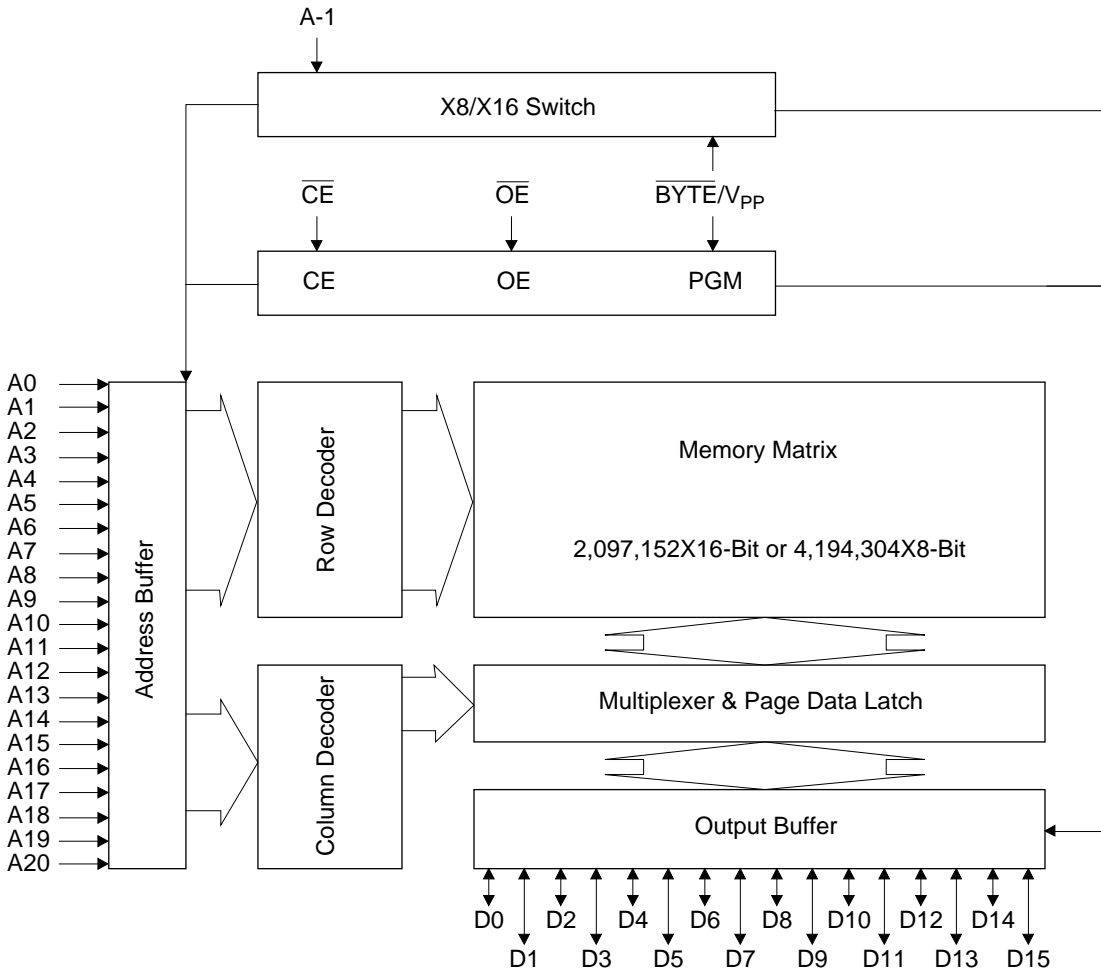
44-pin plastic SOP (SOP44-P-600-1.27-K) (Product name : MR27V3252DMA)  
48-pin plastic TSOP (TSOP II 48-P-550-0.80-K) (Product name : MR27V3252DTA)

**PIN CONFIGURATION (TOP VIEW)**



PIN NAMES	FUNCTIONS
D15/A-1	Data output / Address input
A0 - A20	Address input
D0 - D14	Data output
$\overline{CE}$	Chip enable
$\overline{OE}$	Output enable
$V_{CC}$	Power supply voltage
$V_{SS}$	GND
BYTE/ $V_{PP}$	Mode switch / Program power supply voltage
NC	Non connection

**BLOCK DIAGRAM**



In 8-bit output mode, these pins are three-stated and pin D15 functions as the A-1 address pin.

**FUNCTION TABLE**

MODE	$\overline{CE}$	$\overline{OE}$	BYTE/ $V_{PP}$	$V_{CC}$	D0 - D7	D8 - D14	D15/A-1	
READ (16-Bit)	L	L	H	3.3V	$D_{OUT}$			
READ (8-Bit)	L	L	L		$D_{OUT}$	Hi-Z	L/H	
OUTPUT DISABLE	L	H	H		Hi-Z			*
			L		Hi-Z			*
STAND-BY	H	*	H	Hi-Z			*	
			L	Hi-Z			*	
PROGRAM	L	H	9.75V	4.0V	$D_{IN}$			
PROGRAM INHIBIT	H	H			Hi-Z			
PROGRAM VERIFY	H	L			$D_{OUT}$			

\* : Don't Care

**ABSOLUTE MAXIMUM RATINGS**

Parameter	Symbol	Condition	Value	Unit
Operating temperature under bias	$T_{opr}$	-	0 to 70	°C
Storage temperature	$T_{stg}$	-	-55 to 125	°C
Input voltage	$V_I$	relative to $V_{SS}$	-0.5 to $V_{CC} + 0.5$	V
Output voltage	$V_O$		-0.5 to $V_{CC} + 0.5$	V
Power supply voltage	$V_{CC}$		-0.5 to 5	V
Program power supply voltage	$V_{PP}$		-0.5 to 11.5	V
Power dissipation per package	$P_D$	-	1.0	W

**RECOMMENDED OPERATING CONDITIONS FOR READ**

(Ta=0 to 70°C)

Parameter	Symbol	Condition	Min.	Typ.	Max.	Unit
$V_{CC}$ power supply voltage	$V_{CC}$	$V_{CC}=3.0V-3.6V$	3.0	-	3.6	V
$V_{PP}$ power supply voltage	$V_{PP}$		-0.5	-	$V_{CC}+0.5$	V
Input "H" level	$V_{IH}$		2.2	-	$V_{CC}+0.5^*$	V
Input "L" level	$V_{IL}$		-0.5**	-	0.6	V

Voltage is relative to  $V_{SS}$ \* :  $V_{CC}+1.5V$  (Max.) when pulse width of overshoot is less than 10nS.

\*\* : -1.5V (Min.) when pulse width of undershoot is less than 10nS.

## ELECTRICAL CHARACTERISTICS (Read operation)

### DC Characteristics

( $V_{CC}=3.3V\pm 0.3V$ ,  $T_a=0$  to  $70^\circ C$ )

Parameter	Symbol	Condition	Min.	Typ.	Max.	Unit
Input leakage current	$I_{LI}$	$V_I=0$ to $V_{CC}$	-	-	10	$\mu A$
Output leakage current	$I_{LO}$	$V_O=0$ to $V_{CC}$	-	-	10	$\mu A$
$V_{CC}$ power supply current (Standby)	$I_{CS1}$	$\overline{CE}=V_{CC}$	-	-	50	$\mu A$
	$I_{CS2}$	$\overline{CE}=V_{IH}$	-	-	1	mA
$V_{CC}$ power supply current (Read)	$I_{CCA}$	$\overline{CE}=V_{IL}$ , $\overline{OE}=V_{IH}$ $t_c=100ns$	-	-	100	mA
$V_{PP}$ power supply current	$I_{PP}$	$V_{PP}=V_{CC}$	-	-	10	$\mu A$
Input "H" level	$V_{IH}$	-	2.2	-	$V_{CC}+0.5^*$	V
Input "L" level	$V_{IL}$	-	-0.5**	-	0.6	V
Output "H" level	$V_{OH}$	$I_{OH}=-400\mu A$	2.4	-	-	V
Output "L" level	$V_{OL}$	$I_{OL}=2.1mA$	-	-	0.4	V

Voltage is relative to  $V_{SS}$

\* :  $V_{CC}+1.5V$  (Max.) when pulse width of overshoot is less than 10nS.

\*\* : -1.5V (Min.) when pulse width of undershoot is less than 10nS.

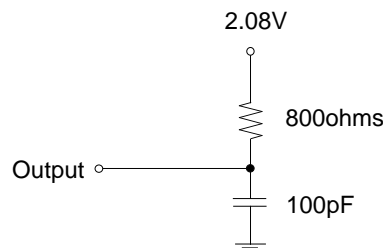
### AC Characteristics

( $V_{CC}=3.3V\pm 0.3V$ ,  $T_a=0$  to  $70^\circ C$ )

Parameter	Symbol	Condition	Min.	Max.	Unit
Address access cycle time	$T_C$	-	100	-	ns
Address access time	$T_{ACC}$	$\overline{CE}=\overline{OE}=V_{IL}$	-	100	ns
Page access cycle time	$T_{PC}$	-	30	-	ns
Page access time	$T_{PAC}$	-	-	30	ns
$\overline{CE}$ access time	$T_{CE}$	$\overline{OE}=V_{IL}$	-	100	ns
$\overline{OE}$ access time	$T_{OE}$	$\overline{CE}=V_{IL}$	-	40	ns
Output disable time	$T_{CHZ}$	$\overline{OE}=V_{IL}$	0	30	ns
	$T_{OHZ}$	$\overline{CE}=V_{IL}$	0	25	ns
Output hold time	$T_{OH}$	$\overline{CE}=\overline{OE}=V_{IL}$	0	-	ns

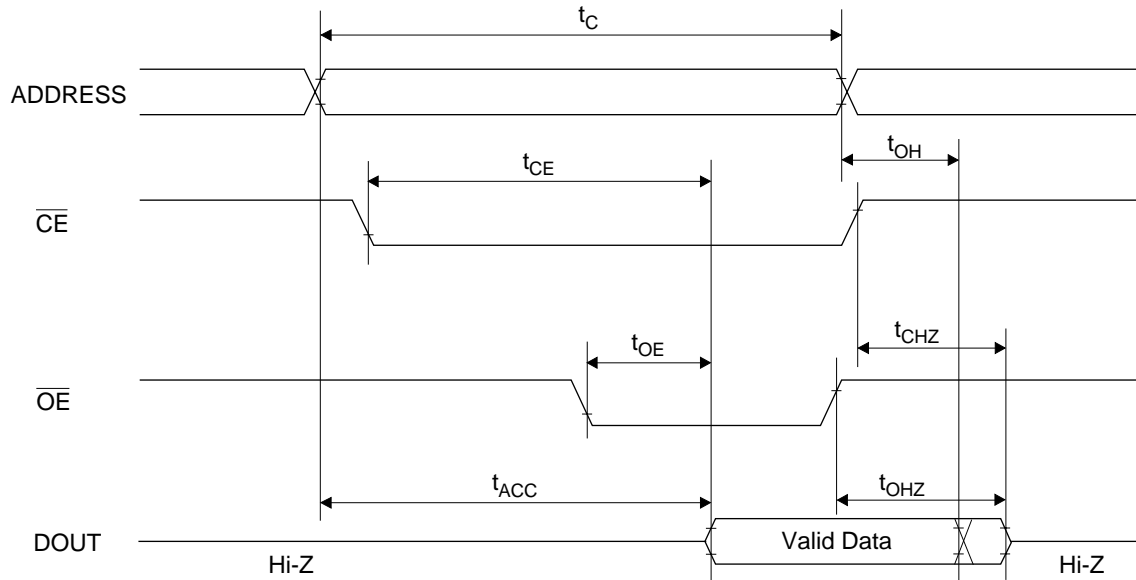
#### Measurement conditions

Input signal level ----- 0V/3V  
 Input timing reference level ----- 0.8V/2.0V  
 Output load ----- 100pF  
 Output timing reference level ----- 0.8V/2.0V

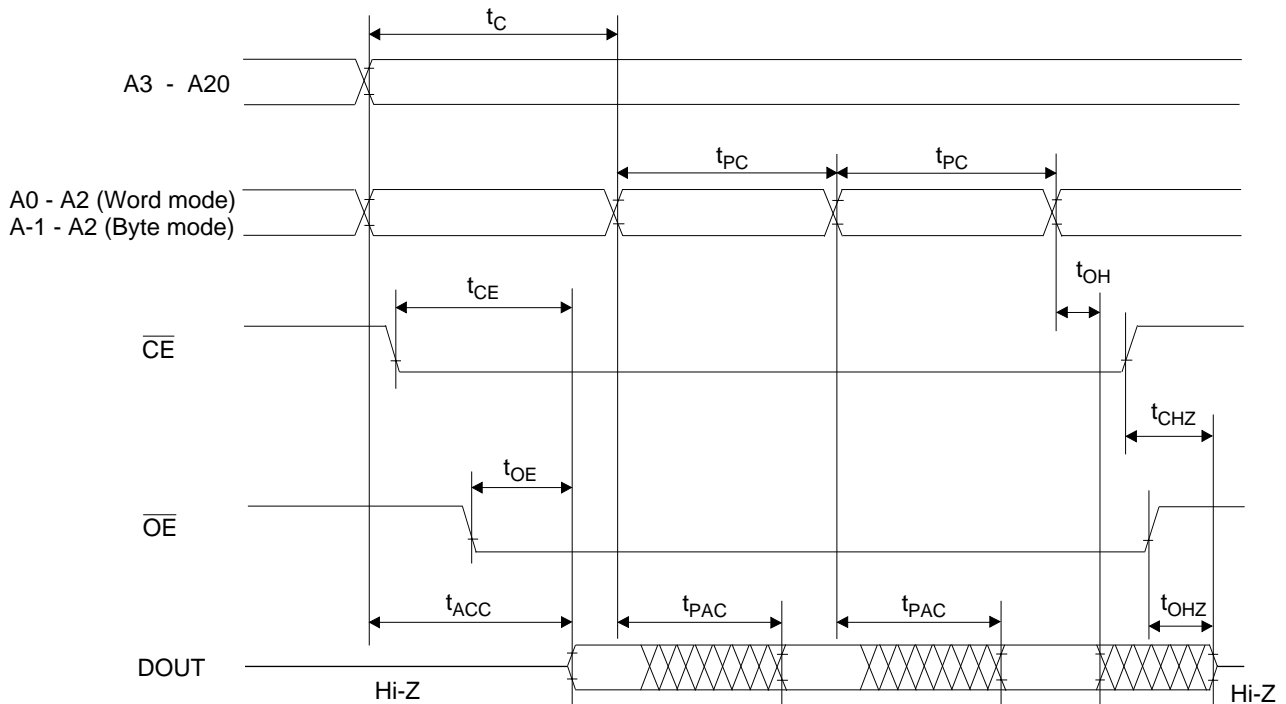


**TIMING CHART**

**NORMAL MODE READ CYCLE**



**PAGE MODE READ CYCLE**



## ELECTRICAL CHARACTERISTICS (Programming operation)

### DC Characteristics

(Ta=25°C±5°C)

Parameter	Symbol	Condition	Min.	Typ.	Max.	Unit
Input leakage current	I <sub>LI</sub>	V <sub>I</sub> =V <sub>CC</sub> +0.5V	-	-	10	μA
V <sub>PP</sub> power supply current (Program)	I <sub>PP2</sub>	$\overline{CE}=V_{IL}$	-	-	50	mA
V <sub>CC</sub> power supply current	I <sub>CC</sub>	-	-	-	80	mA
Input "H" level	V <sub>IH</sub>	-	3.0	-	V <sub>CC</sub> +0.5	V
Input "L" level	V <sub>IL</sub>	-	-0.5	-	0.8	V
Output "H" level	V <sub>OH</sub>	I <sub>OH</sub> =-400μA	2.4	-	-	V
Output "L" level	V <sub>OL</sub>	I <sub>OL</sub> =2.1mA	-	-	0.45	V
Program voltage	V <sub>PP</sub>	-	9.5	9.75	10.0	V
V <sub>CC</sub> power supply voltage	V <sub>CC</sub>	-	3.9	4.0	4.1	V

Voltage is relative to V<sub>SS</sub>

### AC Characteristics

(V<sub>CC</sub>=4.0V±0.1V, V<sub>pp</sub>=9.75V±0.25V, Ta=25°C±5°C)

Parameter	Symbol	Condition	Min.	Typ.	Max.	Unit
Address set-up time	T <sub>AS</sub>	-	100	-	-	ns
$\overline{OE}$ set-up time	T <sub>OES</sub>	-	2	-	-	μs
Data set-up time	T <sub>DS</sub>	-	100	-	-	ns
Address hold time	T <sub>AH</sub>	-	2	-	-	μs
Data hold time	T <sub>DH</sub>	-	100	-	-	ns
Output float delay from $\overline{OE}$	T <sub>OHZ</sub>	-	0	-	100	ns
V <sub>PP</sub> voltage set-up time	T <sub>VS</sub>	-	2	-	-	μs
Program pulse width	T <sub>PW</sub>	-	9	10	11	μs
Data valid from $\overline{OE}$	T <sub>OE</sub>	-	-	-	100	ns
Address hold from $\overline{OE}$ high	T <sub>AHO</sub>	-	0	-	-	ns

### Pin Check Function

Pin Check Function is to check contact between each device-pin and each socket-lead with EPROM programmer.

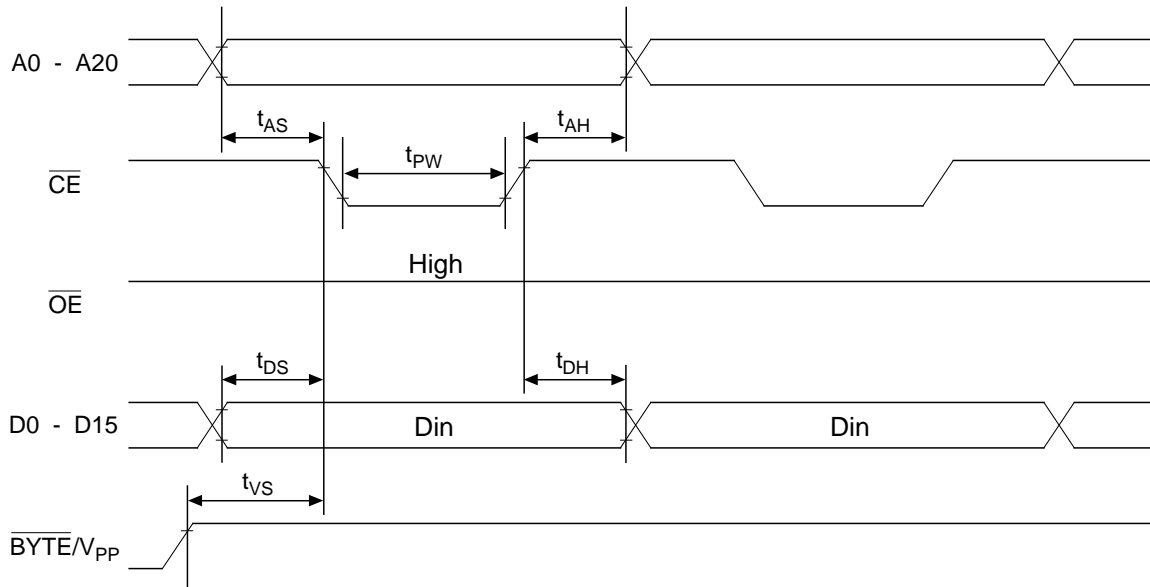
Setting up address as the following condition call the preprogrammed codes on device outputs.

(V<sub>CC</sub>=3.3V±0.3V,  $\overline{CE}=\overline{OE}=V_{IL}$ ,  $\overline{BYTE}/V_{pp}=V_{IH}$ , Ta=25°C±5°C)

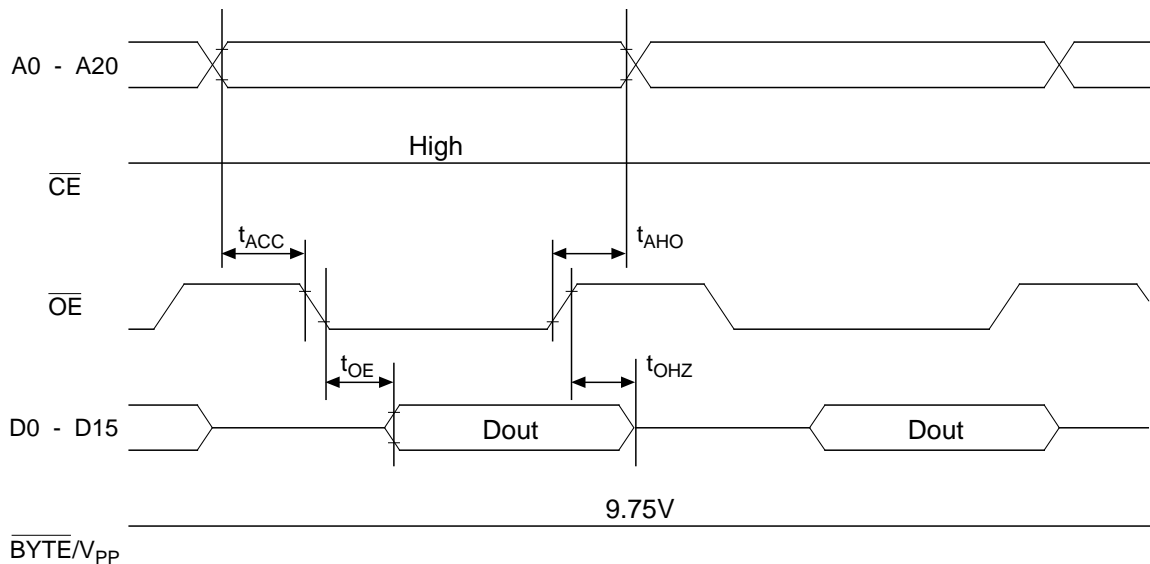
A0	A1	A2	A3	A4	A5	A6	A7	A8	A9	A10	A11	A12	A13	A14	A15	A16	A17	A18	A19	A20	DATA
0	1	0	1	0	1	0	1	0	VH*	0	1	0	1	0	1	0	0	1	1	0	FF00
1	0	1	0	1	0	1	0	1	VH*	1	0	1	0	1	0	1	1	0	0	1	00FF
Other conditions																				FFFF	

\* :VH=8V±0.25V

### Consecutive Programming Waveforms

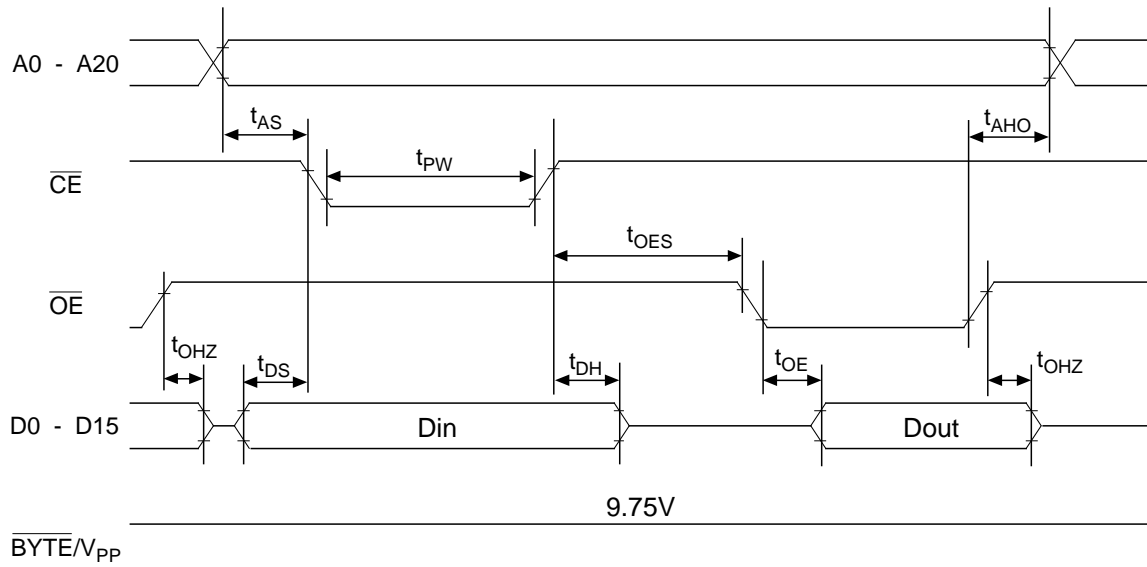


### Consecutive Program Verify Waveforms





### Program and Program Verify Cycle Waveforms



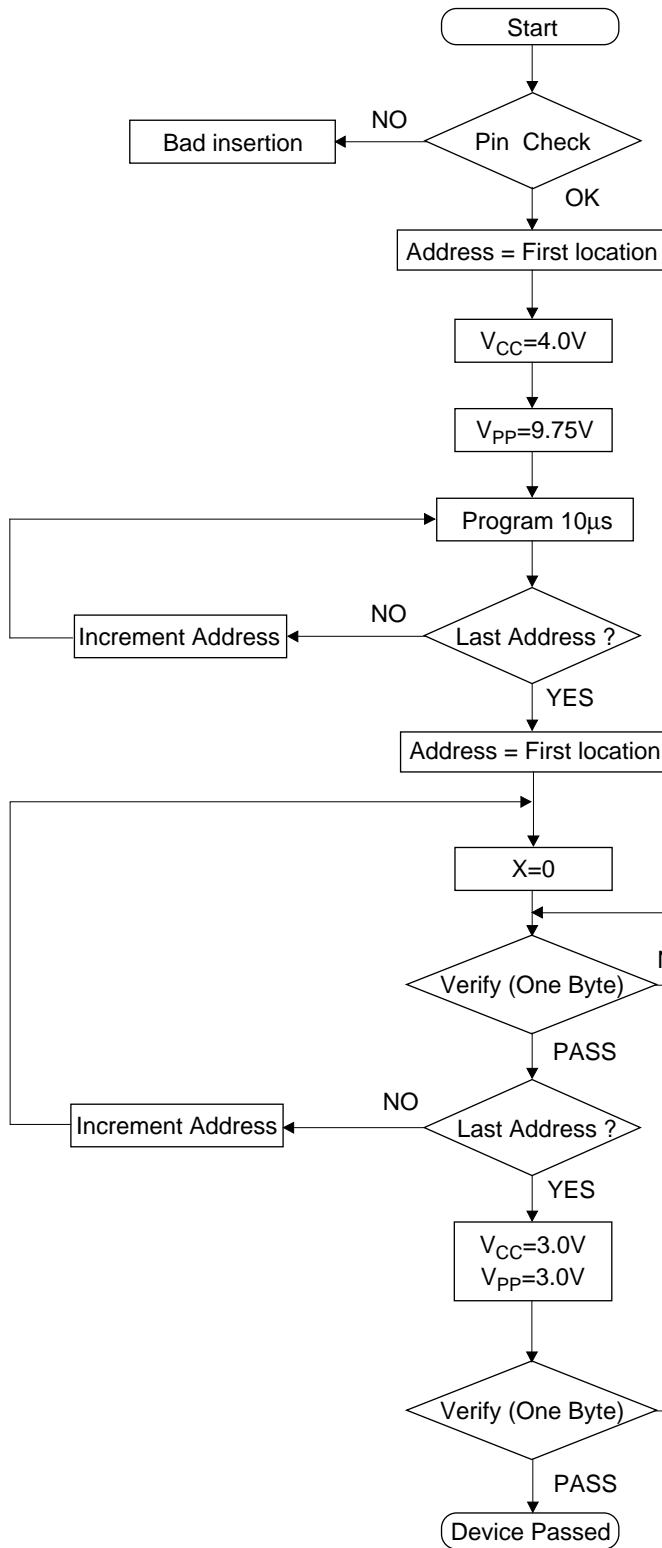
### PIN Capacitance

( $V_{CC}=3.3V$ ,  $T_a=25^\circ C$ ,  $f=1MHz$ )

Parameter	Symbol	Condition	Min.	Typ.	Max.	Unit
Input	$C_{IN1}$	$V_I=0V$	-	-	8	pF
$\overline{BYTE}/V_{PP}$	$C_{IN2}$		-	-	120	
Output	$C_{OUT}$	$V_O=0V$	-	-	10	

Programming / Verify Flow Chart

Programming



Verify

