

# OKI electronic components

## OL395N-20/P20, OL395N-40/P20, OL395N-60/P20, OL395N-80/P20, OL395N-100/P20

### 1.3 $\mu\text{m}$ High-Power Laser-Diode Coaxial Module

#### GENERAL DESCRIPTION

The OL395N-20/P20, OL395N-40/P20, OL395N-60/P20, OL395N-80/P20, and OL395N-100/P20 are extremely high-power 1.3  $\mu\text{m}$  MQW laser-diode coaxial modules with single-mode fiber pigtailed. The laser chips achieve a single-mode fiber output of over 20 mW. The modules are optimal light sources for optical measuring instruments and other systems that require high power.

#### FEATURES

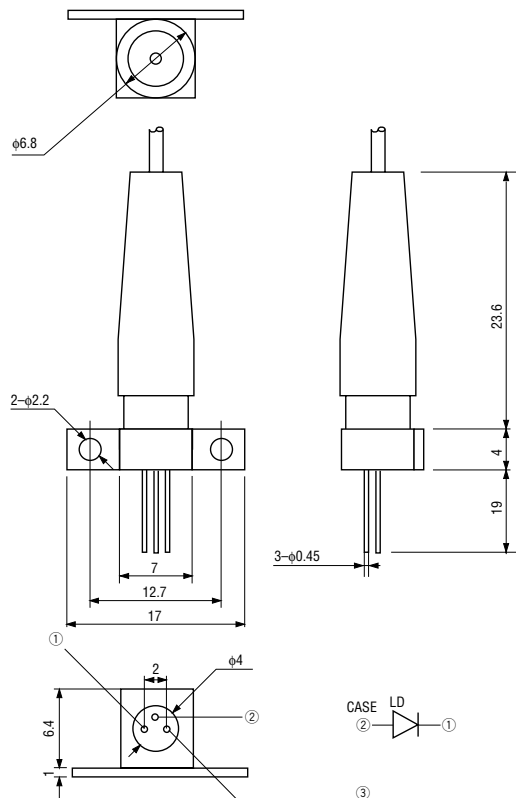
- High output power (Single-mode fiber output) : Pf=20 mW (Pulse) for OL395N-20/P20  
: Pf=40 mW (Pulse) for OL395N-40/P20  
: Pf=60 mW (Pulse) for OL395N-60/P20  
: Pf=80 mW (Pulse) for OL395N-80/P20  
: Pf=100 mW (Pulse) for OL395N-100/P20
- Single-mode fiber
- Multi-quantum-well (MQW) structure

#### APPLICATIONS

- Optical measuring instruments
- OTDRs

#### PACKAGE DIMENSIONS (Unit: mm)

- OL395N-20/P20, OL395N-40/P20,  
OL395N-60/P20, OL395N-80/P20,  
OL395N-100/P20



## ABSOLUTE MAXIMUM RATINGS

Parameter	Symbol	Test Conditions	Ratings		Unit
Fiber Output Power	Pf	Ta=25°C	OL395N-20/P20	30	mW
			OL395N-40/P20	48	
			OL395N-60/P20	70	
			OL395N-80/P20	90	
			OL395N-100/P20	110	
LD Reverse Voltage	V <sub>R</sub> (LD)		2		V
Operating Temperature	T <sub>opr</sub>	—	-20 to +60		°C
Storage Temperature	T <sub>stg</sub>	—	-40 to +85		°C

## OPTICAL AND ELECTRICAL CHARACTERISTICS

Parameter	Symbol	Test Conditions	Min.	Typ.	Max.	Unit
Threshold Current	I <sub>th</sub>	—	—	40	70	mA
Center Wavelength	λ <sub>c</sub>	—	1290	1310	1330	nm
Spectral Width	σ	RMS	—	—	10	nm

## Optical Output Power (Pf)

Model	Test Conditions	Min.	Typ.	Max.	Unit
OL395N-20/P20	I <sub>F</sub> =400 mA (Pulse*)	20	—	—	mW
OL395N-40/P20	I <sub>F</sub> =600 mA (Pulse*)	40	—	—	mW
OL395N-60/P20	I <sub>F</sub> =800 mA (Pulse*)	60	—	—	mW
OL395N-80/P20	I <sub>F</sub> =800 mA (Pulse*)	80	—	—	mW
OL395N-100/P20	I <sub>F</sub> =800 mA (Pulse*)	100	—	—	mW

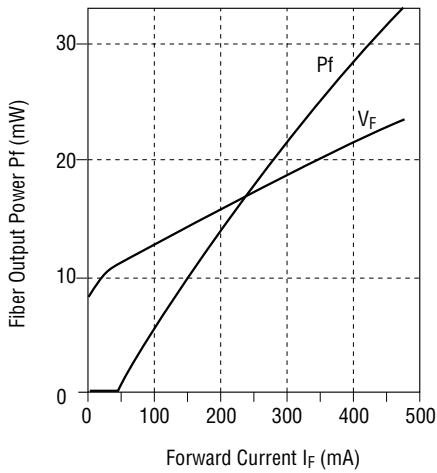
\*Pulse Condition : Width 10 μs, duty ratio : 1%

**TYPICAL CHARACTERISTICS**

• **OL395N-20/P20**

• **OL395N-100/P20**

**Fiber Output Power vs. Forward Current**



**Fiber Output Power vs. Forward Current**

