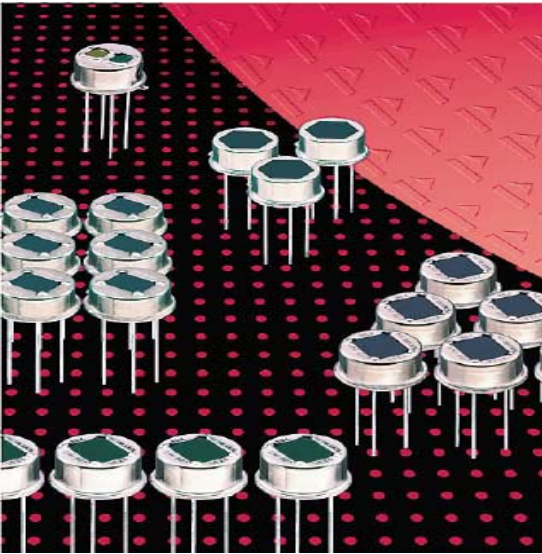


Quad Element Detector LHi 1148



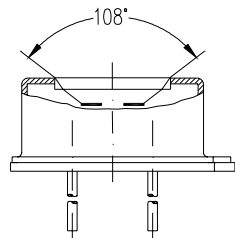
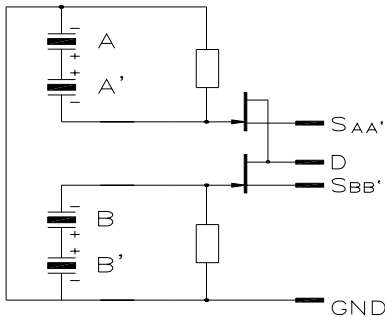
Four elements in two pairs

Two FET outputs, inverse polarity

Designed for redundant PIR alarms

The **LHi 1148** pyroelectric infrared detector is designed for high end PIR alarm applications. It includes a Quad type pyroelectric ceramic with 4 sensitive elements connected to two FET source follower circuits. Thus it provides for dual channel output. One channel is inverse to the other.

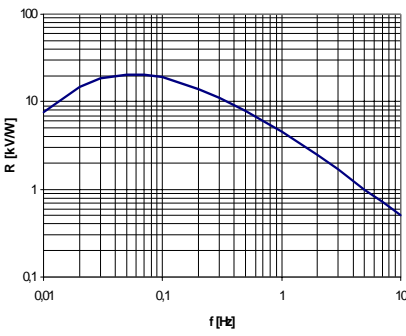
The **LHi 1148** detector is available in **TO-5** housing with standard infrared filter. It offers excellent common mode performance (match) and low noise.



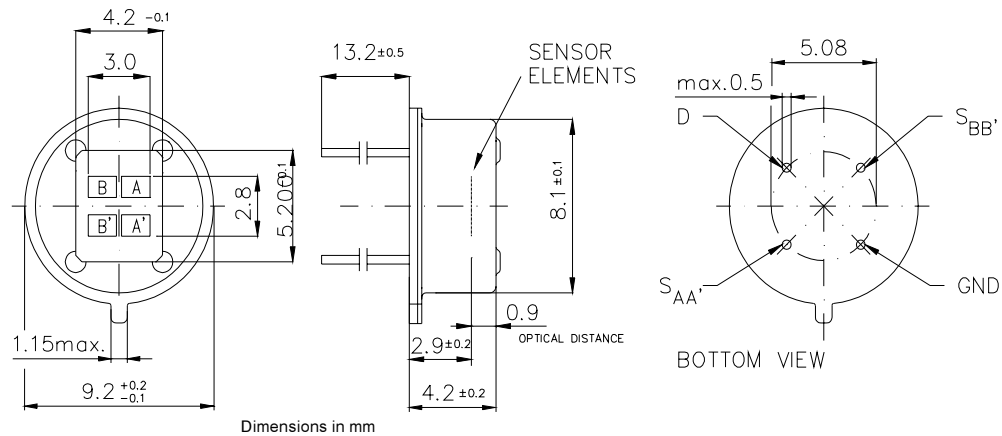
Field of View

Parameters	LHi 1148		units	condition
	min	typical		
Element size	1,375x1		mm ²	(4 elements)
Responsivity	3 500	4 500	V/W	100°C, 1 Hz
Match	1	10	%	
Noise	30	75	µVpp	25°C, 0,3...10Hz
Offset Voltage	0,2	1,55	V	R _s =47kΩ, 25°C
NEP	8,6x10 ⁻¹⁰	28x10 ⁻¹⁰	W √Hz	1Hz Bw, 100°C, 1 Hz
D*	5x10 ⁷	14x10 ⁷	cm √Hz/W	1Hz Bw, 100°C, 1 Hz
Output Impedance	5	10	kΩ	R _s =47kΩ, 25°C
Operating Voltage	2	15	V	R _s =47kΩ, 25°C
Field of View, horizontal	108°			unobstructed
vertical	67°			unobstructed
Operating Temp.	-40	85	°C	non permanent
Storage Temperature	-40	85	°C	non permanent

Right for modification reserved / WS / 29.6.2001



Frequency Response



Europe:
PerkinElmer Optoelectronics GmbH
Wenzel Jaksch Str 31
Wiesbaden / Germany
Phone +49(0)611 492 0
Fax +49(0)611 492 170

USA:
PerkinElmer Optoelectronics
2175 Mission College Blvd
Santa Clara, CA 95054
Phone +408 565 0830
Fax +408 565 0703

Asia:
PerkinElmer Optoelectronics
47, Ayer Rajah Crescent #06-12
Singapore 139947
Phone +65 775 2022
Fax +65 775 1008

SUNSTAR自动化 <http://www.sensor-ic.com/> TEL: 0755-83376489 FAX:0755-83376182 E-MAIL: szss20@163.com

