

## Proximity Sensors

### DIN Rail Mountable Single Channel Interface Module

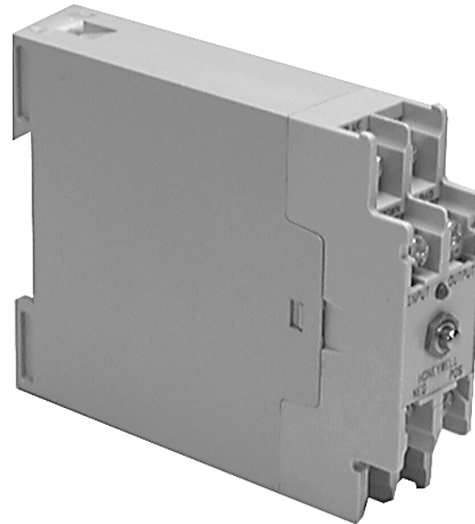
### RDS-DIN1 Series

#### FEATURES

- DIN Rail mountable for ease of installation in equipment bungalows
- Built in test switch
- Available in current sink or current source, with or without time delay
- Sealed to IP67, NEMA 6P
- Short circuit protection
- Surge immunity
- Reverse polarity protection
- Radiated electric field immunity
- LED output indicator

#### TYPICAL APPLICATIONS

- Used with 926FS30 Series proximity sensors in standalone applications
- Convert 2-wire DC N.C. output to 3-wire DC N.O. output



The RDS-DIN1 Series single channel interface modules are intended for use with the 926FS30 Railwheel proximity sensors in standalone applications. The DIN rail mountable modules convert the 2-wire DC Normally Closed output of the railwheel sensor into a 3-wire DC Normally Open output to interface with other equipment. Both NPN and PNP outputs, with or without time delay, are available. The LED turns on when a target is sensed by the railwheel proximity sensor. The single channel interface modules have several important features: surge immunity means the RDS-DIN1 Series can withstand 2000V 1/50 $\mu$ s 12 Ohm surges. Other features include a built in test switch, short circuit immunity and reverse polarity protection.

#### **⚠ WARNING**

##### PERSONAL INJURY

- **DO NOT USE** in applications where product failure could result in personal injury or death.
- Improper installation of this device can cause personal injury. **STRICTLY FOLLOW** the instructions included with the product.

#### **⚠ WARNING**

##### MISUSE OF DOCUMENTATION

- The information presented in this product sheet is for reference only. **DO NOT USE** this document as product installation information.
- Complete installation, operation and maintenance information is provided in the instructions supplied with each product.

**Failure to comply with these instructions could result in death or serious injury.**

# Proximity Sensors

## Single Channel Interface Module

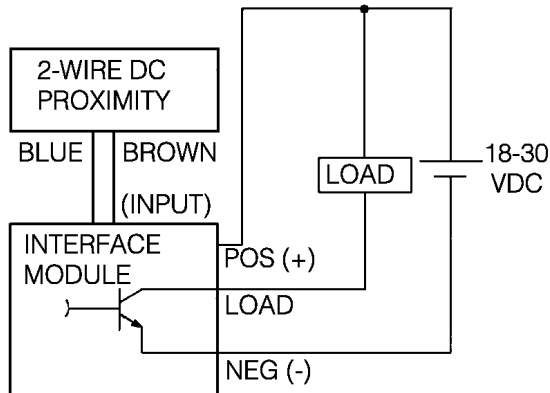
## RDS-DIN1 Series

### SPECIFICATIONS

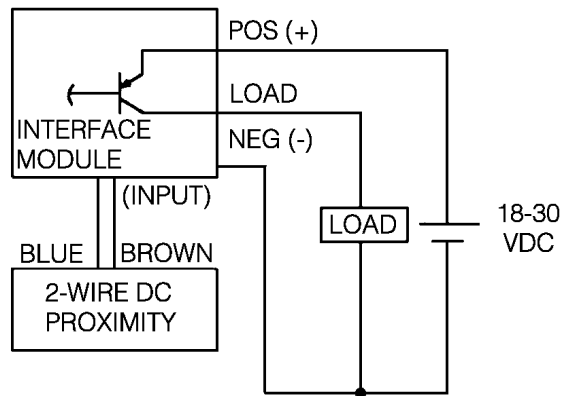
Supply Voltage	18 to 30 VDC
Output Type	3-Wire DC, N.O., NPN or PNP
Saturation Voltage	6.5 V max. @ 20 mA
Load Current	20 mA max.
Leakage Current	50 $\mu$ A max.
Power-up Delay Time	50 mSec max.
Temperature Range	-40 to +70°C (-40 to +158°F)
Sealing	IP67, NEMA 6P
Shock	6G, 11 ms half sine
Vibration	10G/0.060 inch amplitude, 10 to 500 Hz
Radiated Electric Field Immunity	IEC 1000-4-3, level 3, 10 V/meter, 27 to 500 MHz
Transient Immunity	IEC 1000-4-4, level 4, 2000 V
Surge Immunity	IEC 255-5 Para. 8, IVW 2000 V, 1.2/50 $\mu$ s, 12 $\Omega$
Delay before Availability	100 $\mu$ s to 10 ms (depending on listing)

### CONNECTION DIAGRAMS

#### NPN



#### PNP



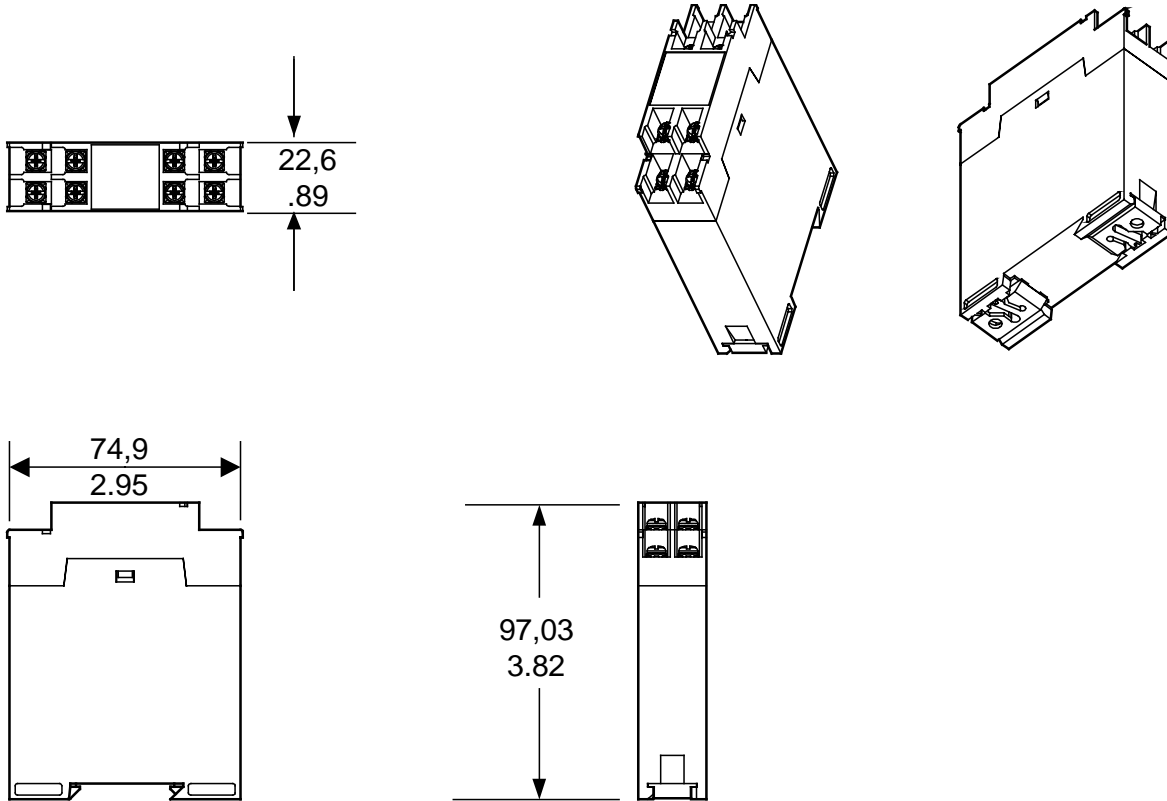
# Proximity Sensors

## Single Channel Interface Module

## RDS-DIN1 Series

### MOUNTING DIMENSIONS (for reference only)

mm  
in.



### MODULE ORDER GUIDE

Catalog Listing	Description
RDS-DIN1-NA-D1	NPN (Current sinking), normally open, 100 μs nominal time delay
RDS-DIN1-NA-D2	NPN (Current sinking), normally open, 10 ms nominal time delay
RDS-DIN1-PA-D1	PNP (Current sourcing), normally open, 100 μs nominal time delay
RDS-DIN1-PA-D2	PNP (Current sourcing), normally open, 10 ms nominal time delay

## Proximity Sensors

### Single Channel Interface Module

### *RDS-DIN1 Series*

#### WARRANTY/REMEDY

Honeywell warrants goods of its manufacture as being free of defective materials and faulty workmanship. Contact your local sales office for warranty information. If warranted goods are returned to Honeywell during the period of coverage, Honeywell will repair or replace without charge those items it finds defective. The foregoing is Buyer's sole remedy and is **in lieu of all other warranties, expressed or implied, including those of merchantability and fitness for a particular purpose.**

Specifications may change without notice. The information we supply is believed to be accurate and reliable as of this printing. However, we assume no responsibility for its use.

While we provide application assistance personally, through our literature and the Honeywell web site, it is up to the customer to determine the suitability of the product in the application.

For application assistance, current specifications, pricing or name of the nearest Authorized Distributor, contact a nearby sales office. Or call:

1-800-537-6945 USA  
1-800-737-3360 Canada  
1-815-235-6847 International

#### FAX

1-815-235-6545 USA

# Honeywell

**MICRO SWITCH**  
Sensing and Control

Honeywell Inc.  
11 West Spring Street  
Freeport, Illinois 61032



[www.honeywell.com/sensing](http://www.honeywell.com/sensing)



Printed with Soy Ink  
on 50% Recycled Paper