

# Slip Ring Module BaseLine for RoaDyn® P106

Type 9875

The slip ring module BaseLine transmits the measured signal  $M_y$  from the torque measuring wheel RoaDyn P106 to the control box Type 5693, which is located inside the vehicle.

- analog signal output  $M_y$
- combined with the RoaDyn torque measuring wheel, cost effective access into traction measurement on vehicles

### Description

The analog signal will be transmitted via a connecting cable Type 1767A7 from the rotating torque measuring wheel to the control box Type 5693 inside the vehicle.

### Application

Applications for the slip ring module BaseLine, in combination with the torque measuring wheel RoaDyn P106, are particularly in vehicle engineering or automotive research with emphasis in dynamic stability and traction control, anti-lock brake systems, investigations of fading effects, brake jitter, power measurements. Determination of friction values, coast down and safety tests such as U.S. procedure FMVSS 135 all exclusively in combination with RoaDyn P106.



### Technical Data

#### Slip Ring Module Type 9875

Operating temperature range		°C	-25 ... 80
Max. speed (≈250km/h)	n	min <sup>-1</sup>	2 200
Shock resistance		g	50
Mass of transmission module	m	kg	0,85
Dimension diameter	d	mm	112
Length	l	mm	75
Degree of protection			IP65 EN60529

#### Electronics

Power supply		VDC	9 ... 18
Output signal	$M_y$	V	±3,5
Interfaces			
to RoaDyn P106			D-Sub 25 pin, fem.
to connecting cable			Fischer 6 pin, fem.
Conforms to following directives			89/336/EWG
EMC Emission			EN 61000-6-4:2001 (EN 55011 Class A)
EMC Immunity			EN 61000-6-2:2001

RoaDyn® is a registered trademark of Kistler Holding AG

Page 1/2

This information corresponds to the current state of knowledge. Kistler reserves the right to make technical changes. Liability for consequential damage resulting from the use of Kistler products is excluded.

©2008 ... 2012, Kistler Group, Eulachstrasse 22, 8408 Winterthur, Switzerland  
Tel. +41 52 224 11 11, Fax +41 52 224 14 14, info@kistler.com, www.kistler.com  
Kistler is a registered trademark of Kistler Holding AG.

9875\_000-632e-08.12

**Dimensions**

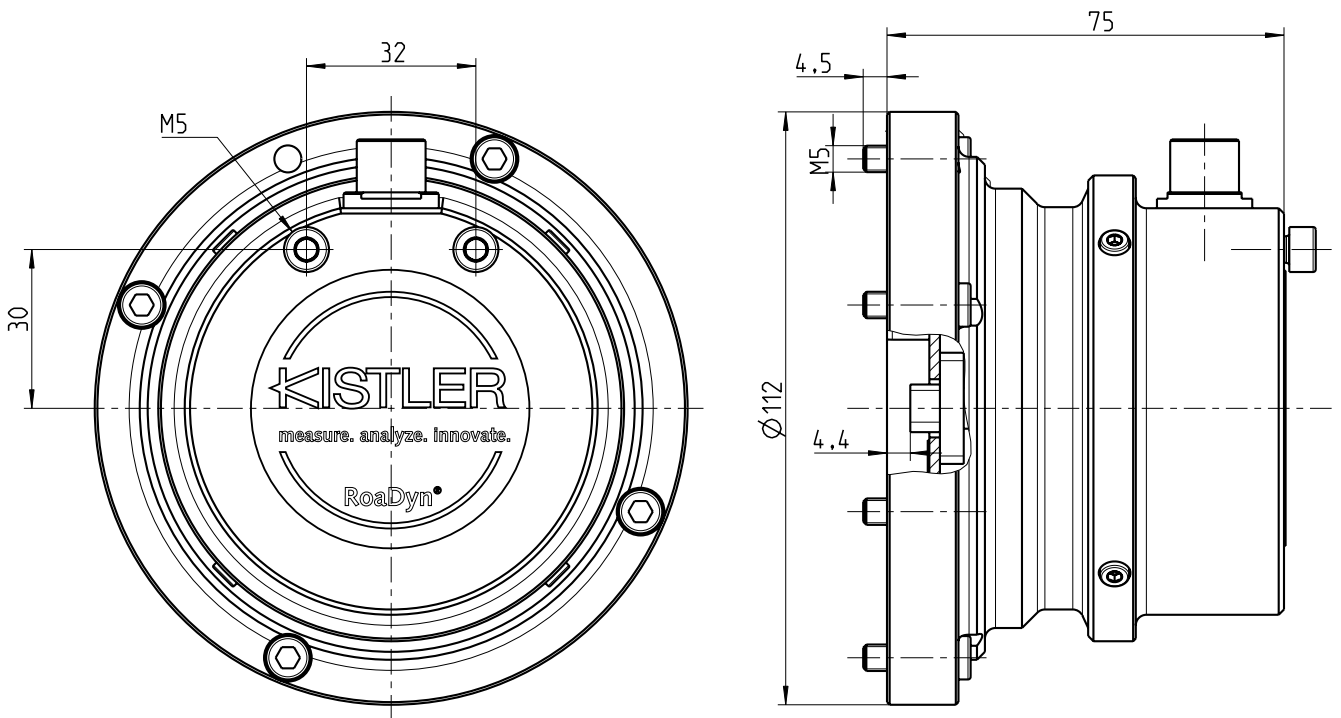


Fig. 1: Dimensions of slip ring module BaseLine for RoaDyn® P106

**Included Accessories**

- none

**Optional Accessories**

- Connecting cable
- Fixing arm

**Type/Art. No.**

1767A7  
9899

**Ordering Code**

- Slip ring module BaseLine for RoaDyn® P106

**Type 9875**

9875\_000-632e-08.12