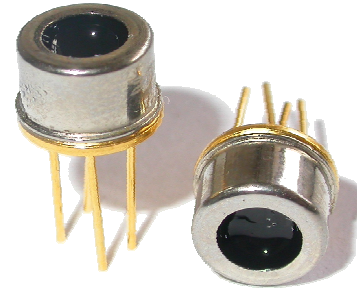


A 15 PSI ABSOLUTE PRESSURE SENSOR FOR ATMOSPHERIC PRESSURE MEASUREMENT

This 1 bar absolute pressure sensor is specially designed for measuring the pressure of the atmosphere. By means of an analogue output connection to other systems is very easy.
 The TO5 metal can encapsulation is especially suited for mounting in a ruggedized brass fitting.

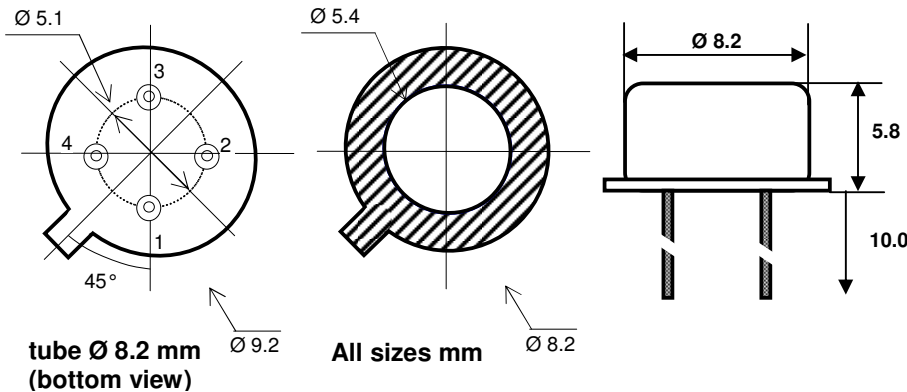


Electrical Characteristics

Characteristic @ Vcc = 5V and 25 °C

Parameter	Min	Typ	Max	Units.
Excitation Voltage	4,75	5.00	5.25	V
Excitation Current	-	2.5		mA
Pressure range	15		102	kPa
Zero output (15 kPa)	0.428	0.5	0.572	V
Span output (102 kPa)		4.0		V
Accuracy			1.8	%FS
Linearity	-0,5		0,5	%FS
Thermal hysteresis	-0,15		0,15	%FS
response time		1	2	ms
Over pressure			3X	Rated FS
temp compensating	15		70	°C
Operating Temp	-20		100	°C
Storage temp.	-40		125	°C

- Wetted materials are: nickel, silicon, RTV, gold and glass
- Other pressure ranges on request
- Output is ratiometric to the Vcc supply voltage.



Pin	Description
1	Vcc
2	Gnd
3	Gnd
4	Out

- Header must be left floating
- A 0.1 μ f capacitor must be connected between Vcc and Gnd

