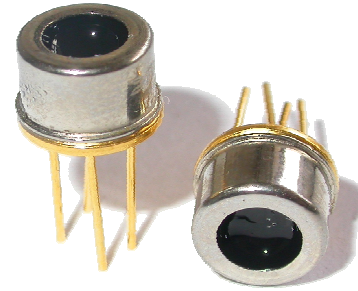


A PRESSURE SENSOR FOR MEASURING ATMOSPHERIC PRESSURE

This 102 kPa absolute pressure sensor is specially designed for measuring the pressure of the atmosphere.
 For convenient interfacing the output of the sensor is analogue and is compensated for temperature effects (between 15 and 70 °C)

The TO5 metal can encapsulation is especially suited for mounting in a ruggedized brass fitting.

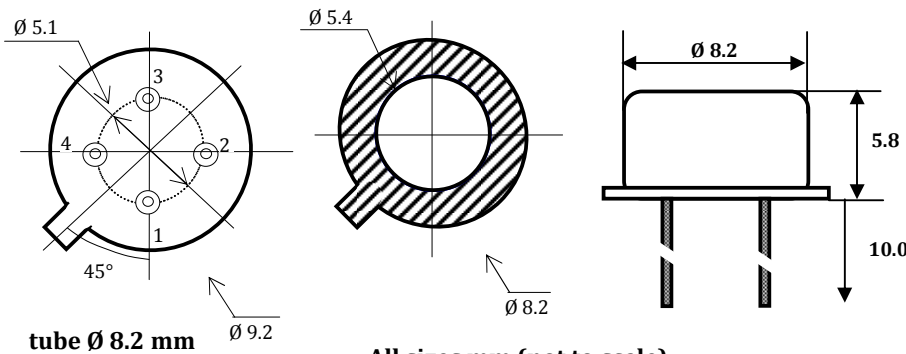


Electrical Characteristics

Characteristic @ Vcc = 5V and 25 °C

Parameter	Min	Typ	Max	Units.
Excitation Voltage	4.75	5.00	5.25	V
Excitation Current	-	2.5		mA
Pressure range	15		102	kPa
Zero output (15 kPa)	0.428	0.500	0.572	V
Span output (102 kPa)		4.0		V
Accuracy			1.8	%FS
Linearity	-0,5		0,5	%FS
thermal hysteresis	-0,15		0,15	%FS
response time		1	2	ms
over pressure			3X	Rated FS
temp compensating	15		70	°C
Operating temp	-20		100	°C
Storage temp.	-40		125	°C

Accuracy includes all errors, best fit straight line
 Wetted materials are: nickel, silicon, RTV, gold and glass



Pin	Description
1	Vcc
2	Gnd
3	Gnd
4	Out

- A 0.1 µf capacitor must be connected between Vcc and Gnd

