

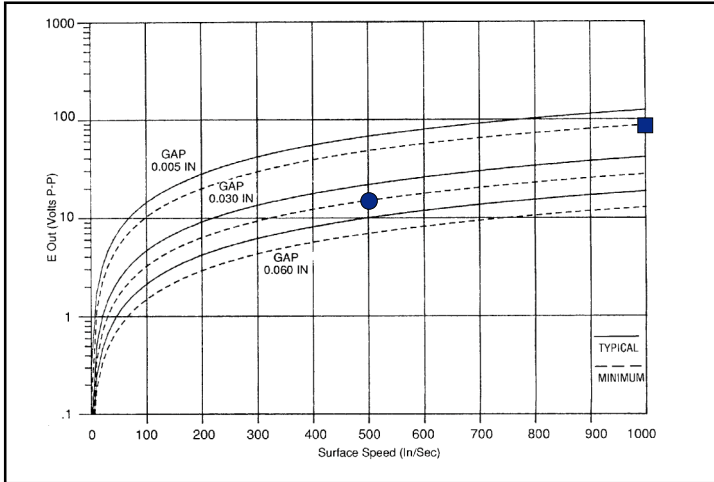
Passive Speed Sensors

5/8 – 18 FAMILY

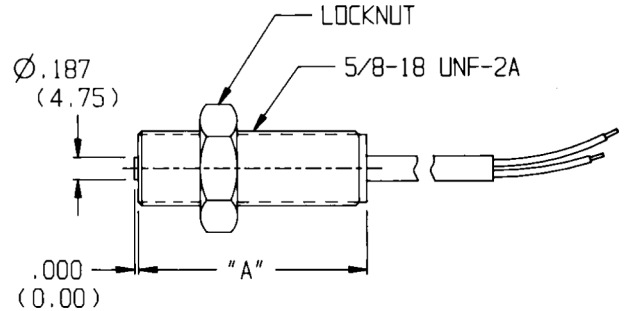
Full Thread – Power Output

Ordering Part #	Thread Length (A)
70085-1010-131	1.750 (44.45)
70085-1010-214	3.000 (76.20)

Performance Curves



Based on 8 D.P. Gear



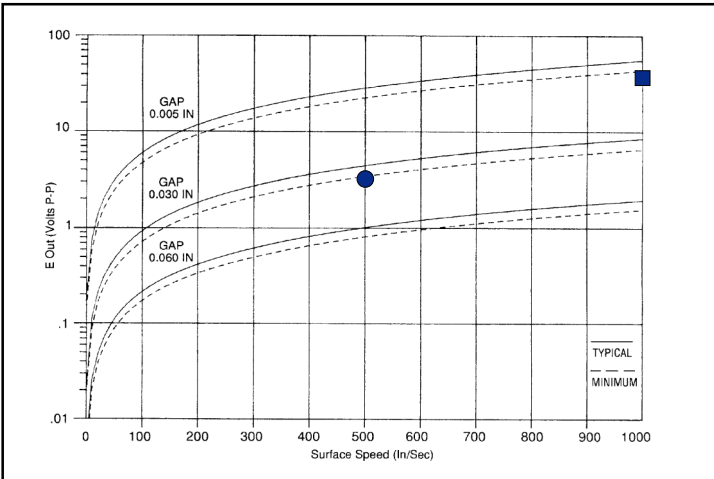
Specifications:

- Output Voltage (Standard): 120 V (P-P)
- Output Voltage (Guarantee Point): 15.1 V (P-P)
- DC Resistance: 220 ohms max.
- Typical Inductance: 40-60 mH ref.
- Output Polarity: White lead positive
- Operating Temperature: -55 to +107° C
- Cable Length: 10 ft (3.05 m)
- Net Weight: 5 oz. max.

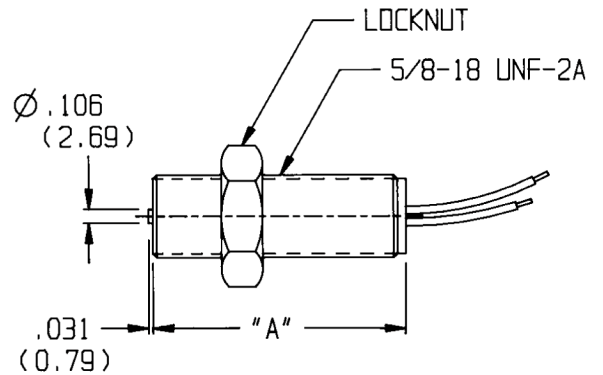
Full Thread – General Purpose

Ordering Part #	Thread Length (A)
70085-1010-078	1.875 (47.62)
70085-1010-137	3.000 (76.20)

Performance Curves



Based on 20 D.P. Gear



Specifications:

- Output Voltage (Standard): 40 V (P-P)
- Output Voltage (Guarantee Point): 3.4 V (P-P)
- DC Resistance: 130 ohms max.
- Typical Inductance: 33 mH ref.
- Output Polarity: white lead positive
- Operating Temperature: -55 to +107° C
- Lead Length: -078, 12 in (30.5 cm)
- 137, 24 in (60.9 cm)
- Net Weight: 3 oz. max.

Al-Tek Instruments, Cheshire, CT USA

Dimensions in inches and (mm).