

# Data Sheet

## HAL<sup>®</sup> 805

Programmable Linear  
Hall-Effect Sensor

---

**Copyright, Warranty, and Limitation of Liability**

The information and data contained in this document are believed to be accurate and reliable. The software and proprietary information contained therein may be protected by copyright, patent, trademark and/or other intellectual property rights of Micronas. All rights not expressly granted remain reserved by Micronas.

Micronas assumes no liability for errors and gives no warranty representation or guarantee regarding the suitability of its products for any particular purpose due to these specifications.

By this publication, Micronas does not assume responsibility for patent infringements or other rights of third parties which may result from its use. Commercial conditions, product availability and delivery are exclusively subject to the respective order confirmation.

Any information and data which may be provided in the document can and do vary in different applications, and actual performance may vary over time.

All operating parameters must be validated for each customer application by customers' technical experts. Any new issue of this document invalidates previous issues. Micronas reserves the right to review this document and to make changes to the document's content at any time without obligation to notify any person or entity of such revision or changes. For further advice please contact us directly.

Do not use our products in life-supporting systems, aviation and aerospace applications! Unless explicitly agreed to otherwise in writing between the parties, Micronas' products are not designed, intended or authorized for use as components in systems intended for surgical implants into the body, or other applications intended to support or sustain life, or for any other application in which the failure of the product could create a situation where personal injury or death could occur.

No part of this publication may be reproduced, photocopied, stored on a retrieval system or transmitted without the express written consent of Micronas.

**Micronas Trademarks**

– HAL

**Third-Party Trademarks**

All other brand and product names or company names may be trademarks of their respective companies.

---

**Contents**

<b>Page</b>	<b>Section</b>	<b>Title</b>
<b>4</b>	<b>1.</b>	<b>Introduction</b>
4	1.1.	Major Applications
4	1.2.	Features
5	1.3.	Marking Code
5	1.3.1.	Special Marking of Prototype Parts
5	1.4.	Operating Junction Temperature Range ( $T_J$ )
5	1.5.	Hall Sensor Package Codes
5	1.6.	Solderability
5	1.7.	Pin Connections and Short Descriptions
<b>6</b>	<b>2.</b>	<b>Functional Description</b>
6	2.1.	General Function
8	2.2.	Digital Signal Processing and EEPROM
10	2.3.	Calibration Procedure
10	2.3.1.	General Procedure
11	2.3.2.	Calibration of the Angle Sensor
<b>13</b>	<b>3.</b>	<b>Specifications</b>
13	3.1.	Outline Dimensions
17	3.2.	Dimensions of Sensitive Area
17	3.3.	Position of Sensitive Areas
17	3.4.	Absolute Maximum Ratings
18	3.4.1.	Storage and Shelf Life
18	3.5.	Recommended Operating Conditions
18	3.6.	Characteristics
19	3.7.	Magnetic Characteristics
20	3.8.	Open Circuit Detection
21	3.9.	Typical Characteristics
<b>23</b>	<b>4.</b>	<b>Application Notes</b>
23	4.1.	Application Circuit
23	4.2.	Use of two HAL805 in Parallel
23	4.3.	Temperature Compensation
24	4.4.	Undervoltage Behavior
24	4.5.	Ambient Temperature
24	4.6.	EMC and ESD
<b>25</b>	<b>5.</b>	<b>Programming of the Sensor</b>
25	5.1.	Definition of Programming Pulses
25	5.2.	Definition of the Telegram
27	5.3.	Telegram Codes
28	5.4.	Number Formats
29	5.5.	Register Information
29	5.6.	Programming Information
<b>30</b>	<b>6.</b>	<b>Data Sheet History</b>

## Programmable Linear Hall Effect Sensor

**Release Note: Revision bars indicate significant changes to the previous edition.**

### 1. Introduction

The HAL805 is a recent member of the Micronas family of programmable linear Hall sensors. It offers open-circuit detection and individual programming of different sensors which are in parallel to the same supply voltage.

The HAL805 is an universal magnetic field sensor with a linear output based on the Hall effect. The IC is designed and produced in sub-micron CMOS technology and can be used for angle or distance measurements if combined with a rotating or moving magnet. The major characteristics like magnetic field range, sensitivity, output quiescent voltage (output voltage at  $B = 0$  mT), and output voltage range are programmable in a non-volatile memory. The sensor has a ratiometric output characteristic, which means that the output voltage is proportional to the magnetic flux and the supply voltage.

The HAL805 features a temperature-compensated Hall plate with chopped offset compensation, an A/D converter, digital signal processing, a D/A converter with output driver, an EEPROM memory with redundancy and lock function for the calibration data, a serial interface for programming the EEPROM, and protection devices at all pins. The internal digital signal processing is of great benefit because analog offsets, temperature shifts, and mechanical stress do not degrade the sensor accuracy.

The HAL805 is programmable by modulating the supply voltage. No additional programming pin is needed. The easy programmability allows a 2-point calibration by adjusting the output voltage directly to the input signal (like mechanical angle, distance, or current). Individual adjustment of each sensor during the customer's manufacturing process is possible. With this calibration procedure, the tolerances of the sensor, the magnet, and the mechanical positioning can be compensated in the final assembly. This offers a low-cost alternative for all applications that presently need mechanical adjustment or laser trimming for calibrating the system.

In addition, the temperature compensation of the Hall IC can be fit to all common magnetic materials by programming first and second order temperature coefficients of the Hall sensor sensitivity. This enables operation over the full temperature range with high accuracy.

The calculation of the individual sensor characteristics and the programming of the EEPROM memory can

easily be done with a PC and the application kit from Micronas.

The sensor is designed for hostile industrial and automotive applications and operates with typically 5 V supply voltage in the ambient temperature range from  $-40$  °C up to  $150$  °C. The HAL805 is available in the very small leaded packages TO92UT-1 and TO92UT-2.

### 1.1. Major Applications

Due to the sensor's versatile programming characteristics, the HAL805 is the optimal system solution for applications such as:

- contactless potentiometers,
- angle sensors,
- distance measurements,
- magnetic field and current measurement.

### 1.2. Features

- high-precision linear Hall effect sensor with ratiometric output and digital signal processing
- multiple programmable magnetic characteristics in a non-volatile memory (EEPROM) with redundancy and lock function
- open-circuit detection (ground and supply line break detection)
- for programming an individual sensor within several sensors in parallel to the same supply voltage, a selection can be done via the output pin
- temperature characteristics are programmable for matching all common magnetic materials
- programmable clamping function
- programming through a modulation of the supply voltage
- operates from  $-40$  °C up to  $150$  °C ambient temperature
- operates from 4.5 V up to 5.5 V supply voltage in specification and functions up to 8.5 V
- operates with static magnetic fields and dynamic magnetic fields up to 2 kHz
- overvoltage and reverse-voltage protection at all pins
- magnetic characteristics extremely robust against mechanical stress
- short-circuit protected push-pull output
- EMC and ESD optimized design

**1.3. Marking Code**

The HAL805 has a marking on the package surface (branded side). This marking includes the name of the sensor and the temperature range.

Type	Temperature Range	
	A	K
HAL805	805A	805K

**1.3.1. Special Marking of Prototype Parts**

Prototype parts are coded with an underscore beneath the temperature range letter on each IC. They may be used for lab experiments and design-ins but are not intended to be used for qualification tests or as production parts.

**1.4. Operating Junction Temperature Range (T<sub>J</sub>)**

The Hall sensors from Micronas are specified to the chip temperature (junction temperature T<sub>J</sub>).

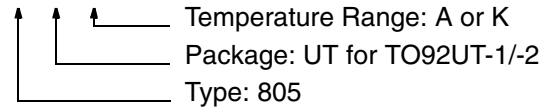
**A:** T<sub>J</sub> = -40 °C to +170 °C

**K:** T<sub>J</sub> = -40 °C to +140 °C

The relationship between ambient temperature (T<sub>A</sub>) and junction temperature is explained in Section 4.5. on page 24.

**1.5. Hall Sensor Package Codes**

HALXXXPA-T



Example: **HAL805UT-K**

- Type: 805
- Package: TO92UT
- Temperature Range: T<sub>J</sub> = -40°C to +140°C

Hall sensors are available in a wide variety of packaging versions and quantities. For more detailed information, please refer to the brochure: "Hall Sensors: Ordering Codes, Packaging, Handling".

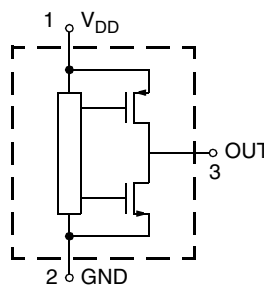
**1.6. Solderability**

During soldering reflow processing and manual reworking, a component body temperature of 260 °C should not be exceeded.

Solderability is guaranteed for one year from the date code on the package.

**1.7. Pin Connections and Short Descriptions**

Pin No.	Pin Name	Type	Short Description
1	V <sub>DD</sub>	IN	Supply Voltage and Programming Pin
2	GND		Ground
3	OUT	OUT	Push Pull Output and Selection Pin



**Fig. 1-1: Pin configuration**

**2. Functional Description**

**2.1. General Function**

The HAL805 is a monolithic integrated circuit which provides an output voltage proportional to the magnetic flux through the Hall plate and proportional to the supply voltage (ratiometric behavior).

The external magnetic field component perpendicular to the branded side of the package generates a Hall voltage. The Hall IC is sensitive to magnetic north and south polarity. This voltage is converted to a digital value, processed in the Digital Signal Processing Unit (DSP) according to the settings of the EEPROM registers, converted to an analog voltage with ratiometric behavior, and stabilized by a push-pull output transistor stage. The function and the parameters for the DSP are explained in Section 2.2. on page 8.

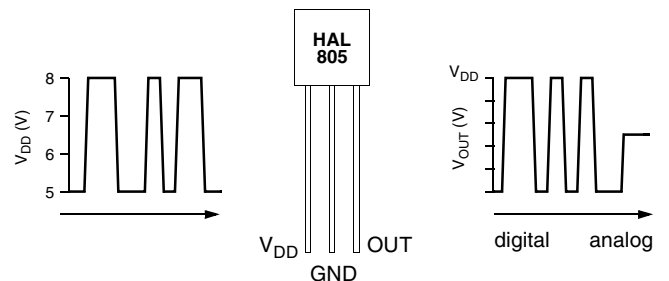
The setting of the LOCK register disables the programming of the EEPROM memory for all time. This register cannot be reset.

As long as the LOCK register is not set, the output characteristic can be adjusted by programming the EEPROM registers. The IC is addressed by modulating the supply voltage (see Fig. 2-1). In the supply voltage range from 4.5 V up to 5.5 V, the sensor generates an analog output voltage. After detecting a command, the sensor reads the memory and answers with a digital signal on the output pin. The

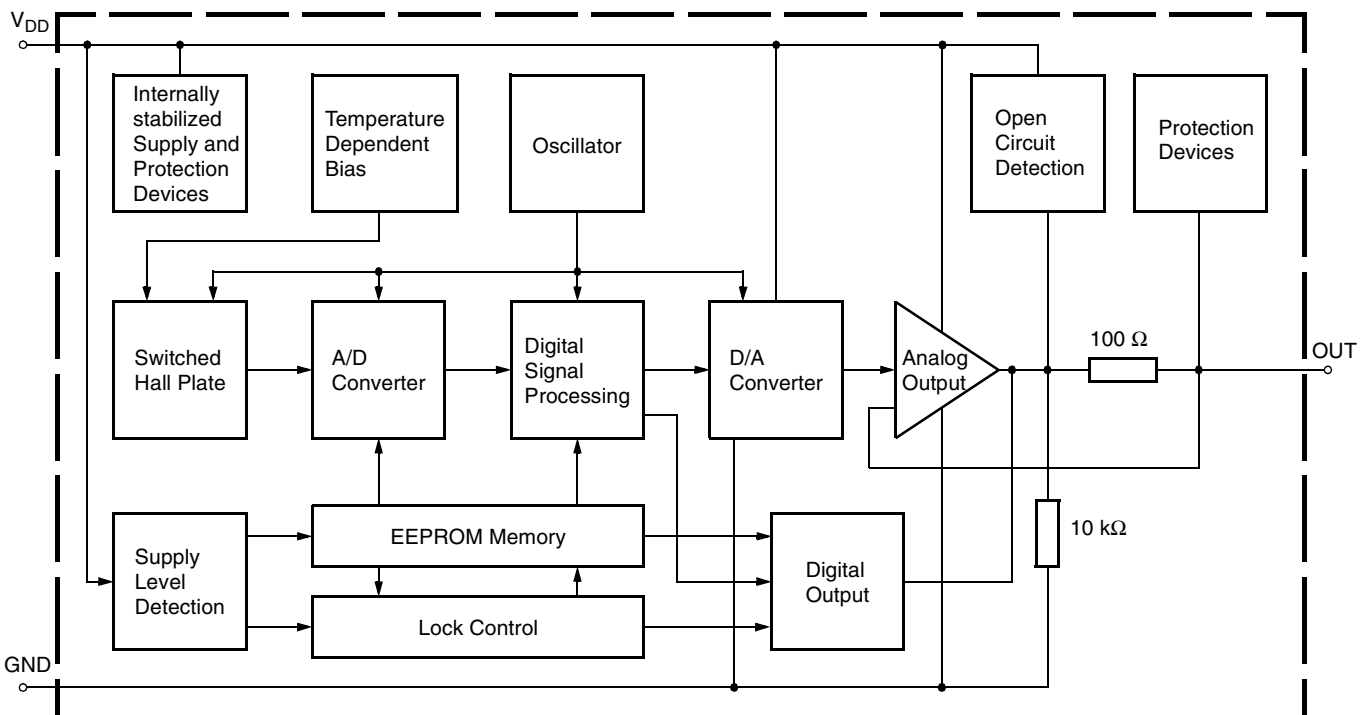
analog output is switched off during the communication.

Several sensors in parallel to the same supply and ground line can be programmed individually. The selection of each sensor is done via its output pin.

The open-circuit detection provides a defined output voltage if the  $V_{DD}$  or GND line is broken. Internal temperature compensation circuitry and the chopped off-set compensation enables operation over the full temperature range with minimal changes in accuracy and high offset stability. The circuitry also rejects offset shifts due to mechanical stress from the package. The non-volatile memory consists of redundant EEPROM cells. In addition, the sensor IC is equipped with devices for overvoltage and reverse-voltage protection at all pins.



**Fig. 2-1:** Programming with  $V_{DD}$  modulation



**Fig. 2-2:** HAL805 block diagram

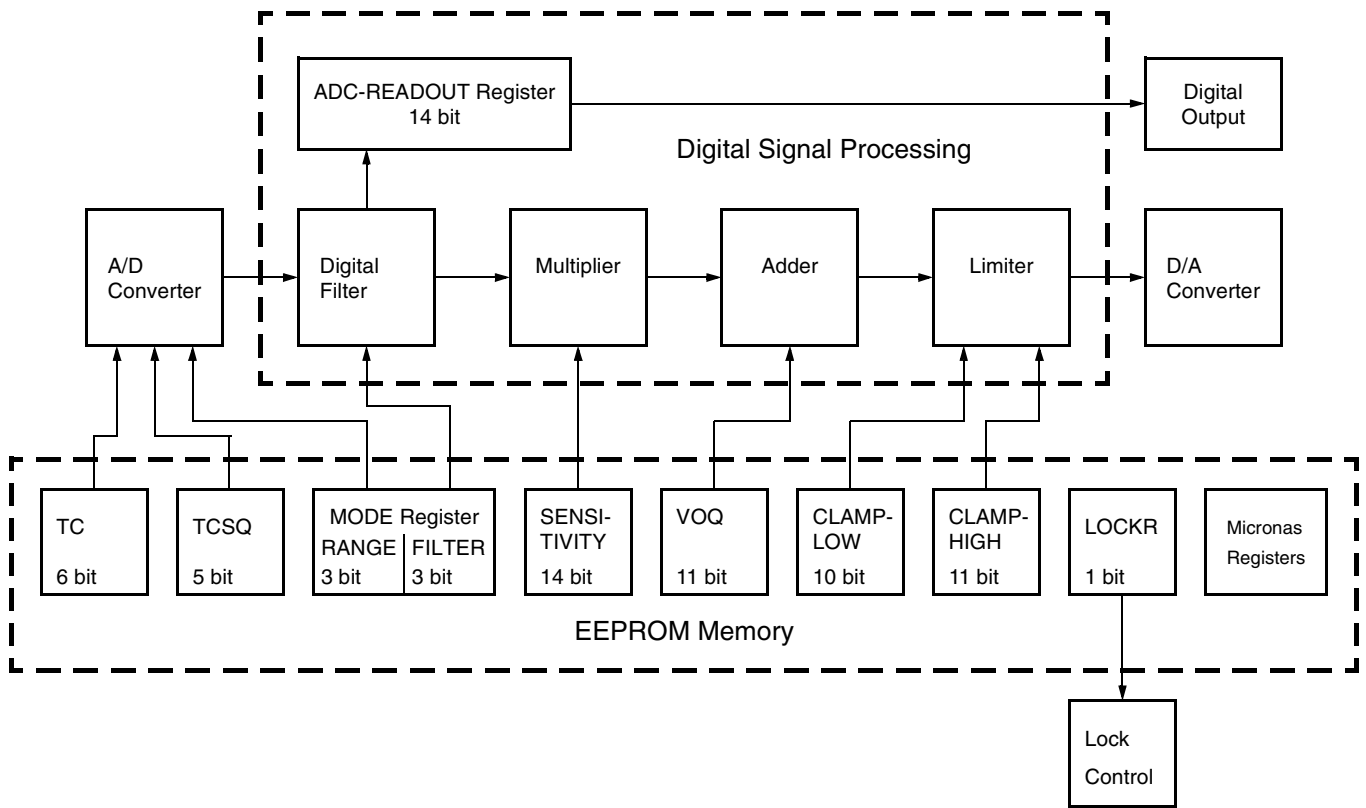


Fig. 2-3: Details of EEPROM and Digital Signal Processing

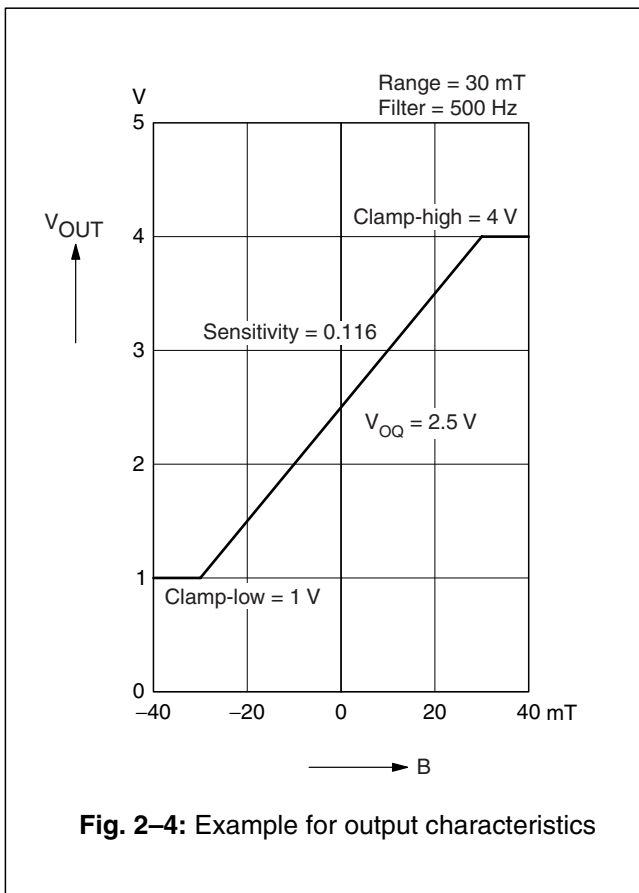


Fig. 2-4: Example for output characteristics

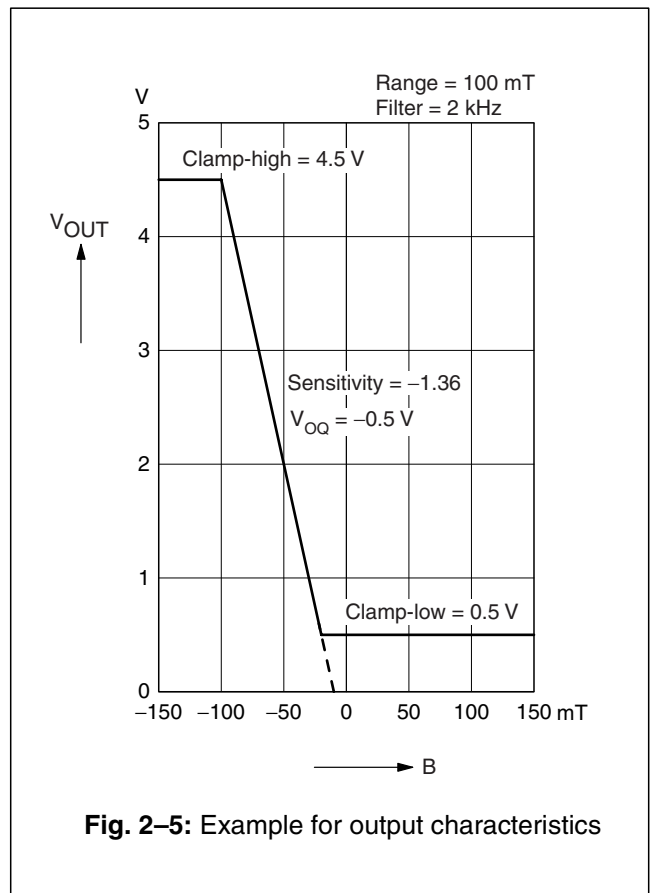


Fig. 2-5: Example for output characteristics

**2.2. Digital Signal Processing and EEPROM**

The DSP is the main part of this sensor and performs the signal conditioning. The parameters for the DSP are stored in the EEPROM registers. The details are shown in Fig. 2–3.

**Terminology:**

**SENSITIVITY:** name of the register or register value

**Sensitivity:** name of the parameter

The EEPROM registers consist of three groups:

Group 1 contains the registers for the adaption of the sensor to the magnetic system: MODE for selecting the magnetic field range and filter frequency, TC and TCSQ for the temperature characteristics of the magnetic sensitivity.

Group 2 contains the registers for defining the output characteristics: SENSITIVITY, VOQ, CLAMP-LOW, and CLAMP-HIGH. The output characteristic of the sensor is defined by these 4 parameters (see Fig. 2–4 and Fig. 2–5 for examples).

- The parameter  $V_{OQ}$  (Output Quiescent Voltage) corresponds to the output voltage at  $B = 0$  mT.
- The parameter Sensitivity defines the magnetic sensitivity:

$$Sensitivity = \frac{\Delta V_{OUT}}{\Delta B}$$

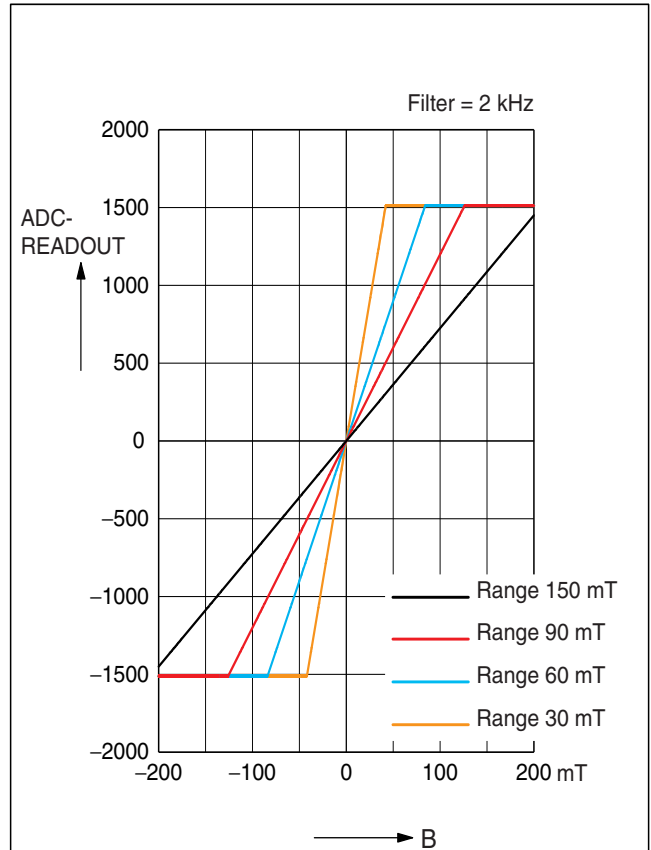
- The output voltage can be calculated as:

$$V_{OUT} \sim Sensitivity \times B + V_{OQ}$$

The output voltage range can be clamped by setting the registers CLAMP-LOW and CLAMP-HIGH in order to enable failure detection (such as short-circuits to  $V_{DD}$  or GND and open connections).

Group 3 contains the Micronas registers and LOCK for the locking of all registers. The Micronas registers are programmed and locked during production and are read-only for the customer. These registers are used for oscillator frequency trimming, A/D converter offset compensation, and several other special settings.

An external magnetic field generates a Hall voltage on the Hall plate. The ADC converts the amplified positive or negative Hall voltage (operates with magnetic north and south poles at the branded side of the package) to a digital value. Positive values correspond to a magnetic north pole on the branded side of the package. The digital signal is filtered in the internal low-pass filter and is readable in the ADC-READOUT register. Depending on the programmable magnetic range of the Hall IC, the operating range of the A/D converter is from –30 mT...+30 mT up to –150 mT...+150 mT.



**Fig. 2–6:** Typical ADC-READOUT versus magnetic field for filter = 2 kHz

During further processing, the digital signal is multiplied with the sensitivity factor, added to the quiescent output voltage and limited according to the clamping voltage. The result is converted to an analog signal and stabilized by a push-pull output transistor stage.

The ADC-READOUT at any given magnetic field depends on the programmed magnetic field range but also on the filter frequency. Fig. 2–6 shows the typical ADC-READOUT values for the different magnetic field ranges with the filter frequency set to 2 kHz. The relationship between the minimum and maximum ADC-READOUT values and the filter frequency setting is listed in the following table.

Filter Frequency	ADC-READOUT RANGE
80 Hz	–3968...3967
160 Hz	–1985...1985
500 Hz	–5292...5290
1 kHz	–2646...2645
2 kHz	–1512...1511



**Note:** During application design, it should be taken into consideration that the maximum and minimum ADC-READOUT is not exceeded during calibration and operation of the Hall IC. Consequently, the maximum and minimum magnetic fields that may occur in the operational range of a specific application should not saturate the A/D converter. Please note that the A/D converter saturates at magnetic fields well above, respectively below, the magnetic range limits. This large safety band between specified magnetic range and true operational range helps to avoid any saturation.

**Range**

The RANGE bits are the three lowest bits of the MODE register; they define the magnetic field range of the A/D converter.

Magnetic Field Range	RANGE
-30 mT...30 mT	0
-40 mT...40 mT	4
-60 mT...60 mT	5
-75 mT...75 mT	1
-80 mT...80 mT	6
-90 mT...90 mT	2
-100 mT...100 mT	7
-150 mT...150 mT	3

**Filter**

The FILTER bits are the three highest bits of the MODE register; they define the -3 dB frequency of the digital low pass filter.

-3 dB Frequency	FILTER
80 Hz	0
160 Hz	1
500 Hz	2
1 kHz	3
2 kHz	4

**TC and TCSQ**

The temperature dependence of the magnetic sensitivity can be adapted to different magnetic materials in order to compensate for the change of the magnetic strength with temperature. The adaption is done by programming the TC (Temperature Coefficient) and the TCSQ registers (Quadratic Temperature Coefficient). Thereby, the slope and the curvature of the temperature dependence of the magnetic sensitivity can be matched to the magnet and the sensor assembly. As a result, the output voltage characteristic can be fixed over the full temperature range. The sensor can compensate for linear temperature coefficients ranging from about -3100 ppm/K up to 400 ppm/K and quadratic coefficients from about -5 ppm/K<sup>2</sup> to 5 ppm/K<sup>2</sup>. Please refer to Section 4.3. on page 23 for the recommended settings for different linear temperature coefficients.

**Sensitivity**

The SENSITIVITY register contains the parameter for the multiplier in the DSP. The Sensitivity is programmable between -4 and 4. For V<sub>DD</sub> = 5 V, the register can be changed in steps of 0.00049. Sensitivity = 1 corresponds to an increase of the output voltage by V<sub>DD</sub> if the ADC-READOUT increases by 2048.

For all calculations, the digital value from the magnetic field of the A/D converter is used. This digital information is readable from the ADC-READOUT register.

$$Sensitivity = \frac{\Delta V_{OUT} * 2048}{\Delta ADC-READOUT * V_{DD}}$$

**VOQ**

The VOQ register contains the parameter for the adder in the DSP. V<sub>OQ</sub> is the output voltage without external magnetic field (B = 0 mT, respectively ADC-READOUT = 0) and programmable from -V<sub>DD</sub> up to V<sub>DD</sub>. For V<sub>DD</sub> = 5 V, the register can be changed in steps of 4.9 mV.

**Note:** If V<sub>OQ</sub> is programmed to a negative voltage, the maximum output voltage is limited to:

$$V_{OUTmax} = V_{OQ} + V_{DD}$$

For calibration in the system environment, a 2-point adjustment procedure (see Section 2.3.) is recommended. The suitable Sensitivity and V<sub>OQ</sub> values for each sensor can be calculated individually by this procedure.

**Clamping Voltage**

The output voltage range can be clamped in order to detect failures like shorts to  $V_{DD}$  or GND or an open circuit.

The CLAMP-LOW register contains the parameter for the lower limit. The lower clamping voltage is programmable between 0 V and  $V_{DD}/2$ . For  $V_{DD} = 5$  V, the register can be changed in steps of 2.44 mV.

The CLAMP-HIGH register contains the parameter for the upper limit. The upper clamping voltage is programmable between 0 V and  $V_{DD}$ . For  $V_{DD} = 5$  V, in steps of 2.44 mV.

**LOCKR**

By setting this 1-bit register, all registers will be locked, and the sensor will no longer respond to any supply voltage modulation. This bit is active after the first power-off and power-on sequence after setting the LOCK bit.

**Warning: This register cannot be reset!**

**ADC-READOUT**

This 14-bit register delivers the actual digital value of the applied magnetic field before the signal processing. This register can be read out and is the basis for the calibration procedure of the sensor in the system environment.

**2.3. Calibration Procedure**

**2.3.1. General Procedure**

For calibration in the system environment, the application kit from Micronas is recommended. It contains the hardware for the generation of the serial telegram for programming and the corresponding software for the input of the register values.

In this section, programming of the sensor using this programming tool is explained. Please refer to Section 5. on page 25 for information about programming without this tool.

For the individual calibration of each sensor in the customer application, a two point adjustment is recommended (see Fig. 2–7 for an example). When using the application kit, the calibration can be done in three steps:

**Step 1: Input of the registers which need not be adjusted individually**

The magnetic circuit, the magnetic material with its temperature characteristics, the filter frequency, and low and high clamping voltage are given for this application.

Therefore, the values of the following registers should be identical for all sensors of the customer application.

- FILTER  
(according to the maximum signal frequency)
- RANGE  
(according to the maximum magnetic field at the sensor position)
- TC and TCSQ  
(depends on the material of the magnet and the other temperature dependencies of the application)
- CLAMP-LOW and CLAMP-HIGH  
(according to the application requirements)

Write the appropriate settings into the HAL805 registers.

**Step 2: Calculation of  $V_{OQ}$  and Sensitivity**

The calibration points 1 and 2 can be set inside the specified range. The corresponding values for  $V_{OUT1}$  and  $V_{OUT2}$  result from the application requirements.

$$\text{Low clamping voltage} \leq V_{OUT1,2} \leq \text{High clamping voltage}$$

For highest accuracy of the sensor, calibration points near the minimum and maximum input signal are recommended. The difference of the output voltage between calibration point 1 and calibration point 2 should be more than 3.5 V.

Set the system to calibration point 1 and read the register ADC-READOUT. The result is the value ADC-READOUT1.

Now, set the system to calibration point 2, read the register ADC-READOUT again, and get the value ADC-READOUT2.

With these values and the target values  $V_{OUT1}$  and  $V_{OUT2}$ , for the calibration points 1 and 2, respectively, the values for Sensitivity and  $V_{OQ}$  are calculated as:

$$\text{Sensitivity} = \frac{V_{OUT1} - V_{OUT2}}{\text{ADC-READOUT1} - \text{ADC-READOUT2}} * \frac{2048}{V_{DD}}$$

$$V_{OQ} = V_{OUT1} - \frac{\text{ADC-READOUT1} * \text{Sensitivity} * V_{DD}}{2048}$$

This calculation has to be done individually for each sensor.

Next, write the calculated values for Sensitivity and  $V_{OQ}$  into the IC for adjusting the sensor.

The sensor is now calibrated for the customer application. However, the programming can be changed again and again if necessary.

**Step 3: Locking the Sensor**

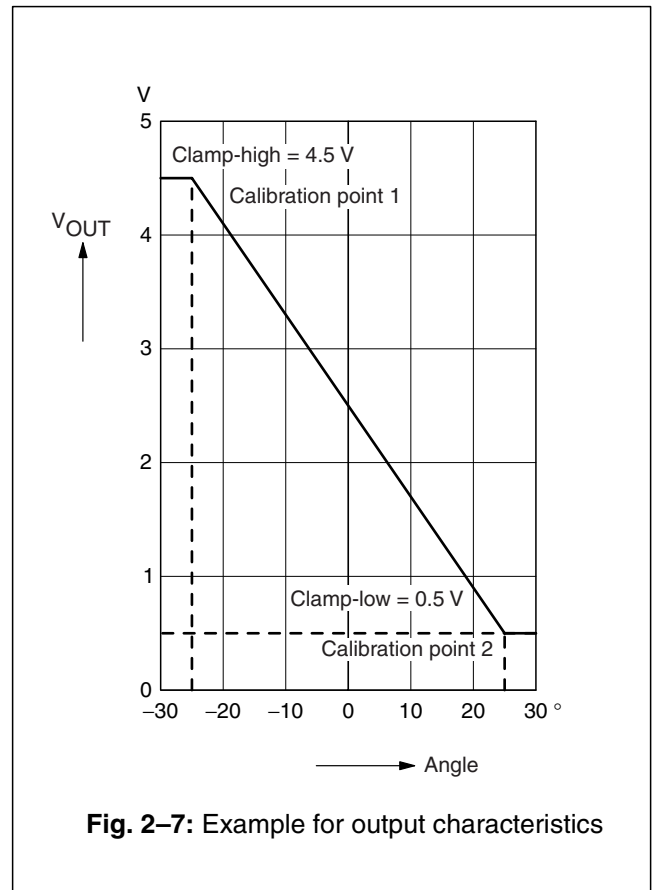
The last step is activating the LOCK function with the "LOCK" command. Please note that the LOCK function becomes effective after power-down and power-up of the Hall IC. The sensor is now locked and does not respond to any programming or reading commands.

**Warning: This register cannot be reset!**

**2.3.2. Calibration of the Angle Sensor**

The following description explains the calibration procedure using an angle sensor as an example. The required output characteristic is shown in Fig. 2-7.

- the angle range is from  $-25^\circ$  to  $25^\circ$
- temperature coefficient of the magnet:  $-500 \text{ ppm/K}$



**Fig. 2-7:** Example for output characteristics

**Step 1: Input of the registers which need not be adjusted individually**

The register values for the following registers are given for all applications:

- FILTER  
Select the filter frequency: 500 Hz
- RANGE  
Select the magnetic field range: 30 mT
- TC  
For this magnetic material: 6
- TCSQ  
For this magnetic material: 14
- CLAMP-LOW  
For our example: 0.5 V
- CLAMP-HIGH  
For our example: 4.5 V

Enter these values in the software, and use the “write and store” command for permanently writing the values in the registers.

**Step 2: Calculation of  $V_{OQ}$  and Sensitivity**

There are two ways to calculate the values for  $V_{OQ}$  and Sensitivity.

Manual Calculation:

Set the system to calibration point 1 (angle 1 =  $-25^\circ$ ) and read the register ADC-READOUT. For our example, the result is  $ADC-READOUT1 = -2500$ .

Next, set the system to calibration point 2 (angle 2 =  $25^\circ$ ), and read the register ADC-READOUT again. For our example, the result is  $ADC-READOUT2 = +2350$ .

With these measurements and the targets  $V_{OUT1} = 4.5 V$  and  $V_{OUT2} = 0.5 V$ , the values for Sensitivity and  $V_{OQ}$  are calculated as

$$Sensitivity = \frac{4.5 V - 0.5 V}{-2500 - 2350} * \frac{2048}{5 V} = -0.3378$$

$$V_{OQ} = 4.5 V - \frac{-2500 * (-0.3378) * 5 V}{2048} = 2.438 V$$

Software Calibration:

Use the menu CALIBRATE from the PC software and enter the values 4.5 V for  $V_{OUT1}$  and 0.5 V for  $V_{OUT2}$ . Set the system to calibration point 1 (angle 1 =  $-25^\circ$ ), hit the button “Read ADC-Readout1”, set the system to calibration point 2 (angle 2 =  $25^\circ$ ), hit the button “Read ADC-Readout2”, and hit the button “Calculate”. The software will then calculate the appropriate  $V_{OQ}$  and Sensitivity.

This calculation has to be done individually for each sensor. Now, write the calculated values with the “write and store” command into the HAL805 for programming the sensor.

**Step 3: Locking the Sensor**

The last step is activating the LOCK function with the “LOCK” command. Please note that the LOCK function becomes effective after power-down and power-up of the Hall IC. The sensor is now locked and does not respond to any programming or reading commands.

**Warning: This register cannot be reset!**

3. Specifications

3.1. Outline Dimensions

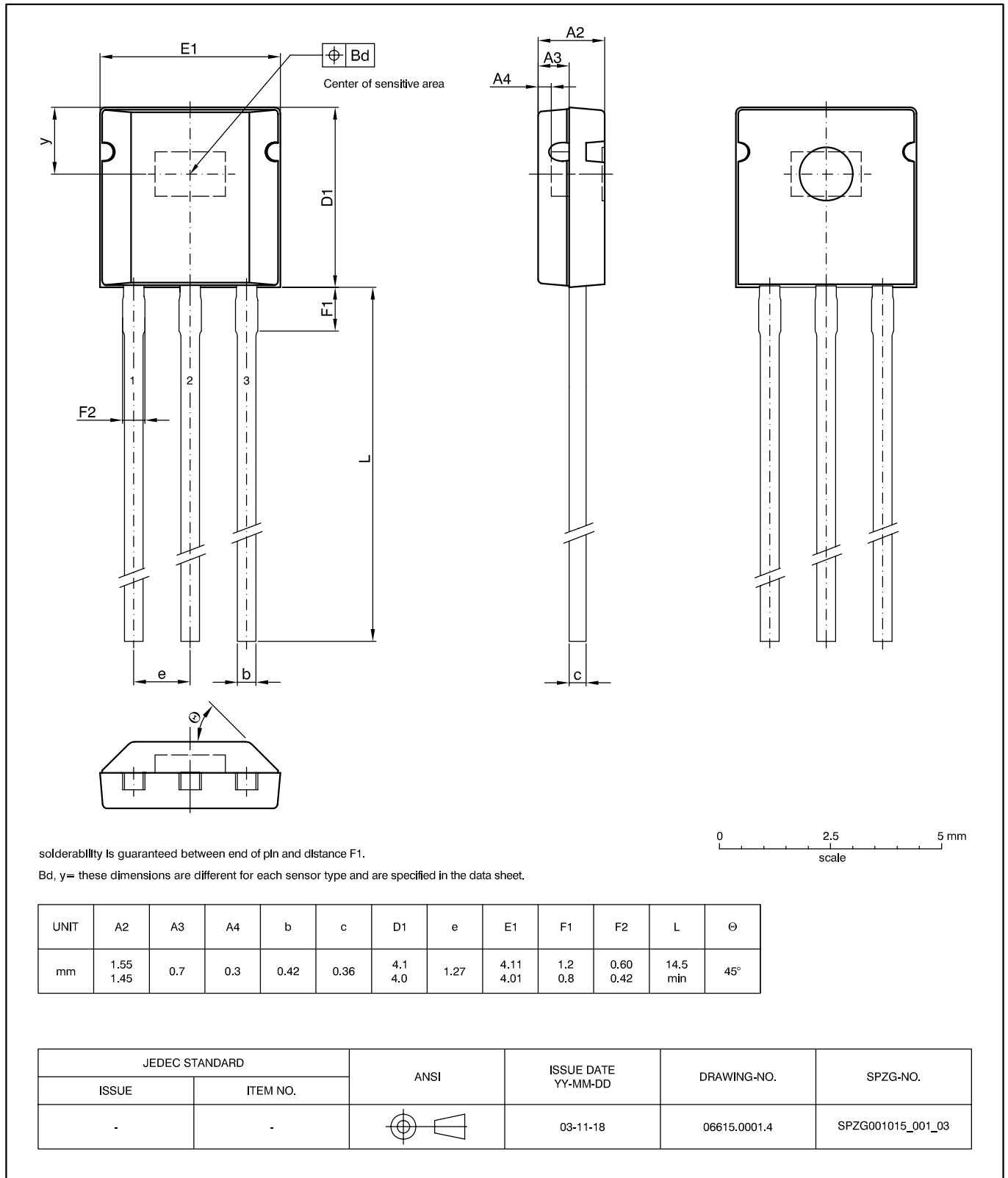
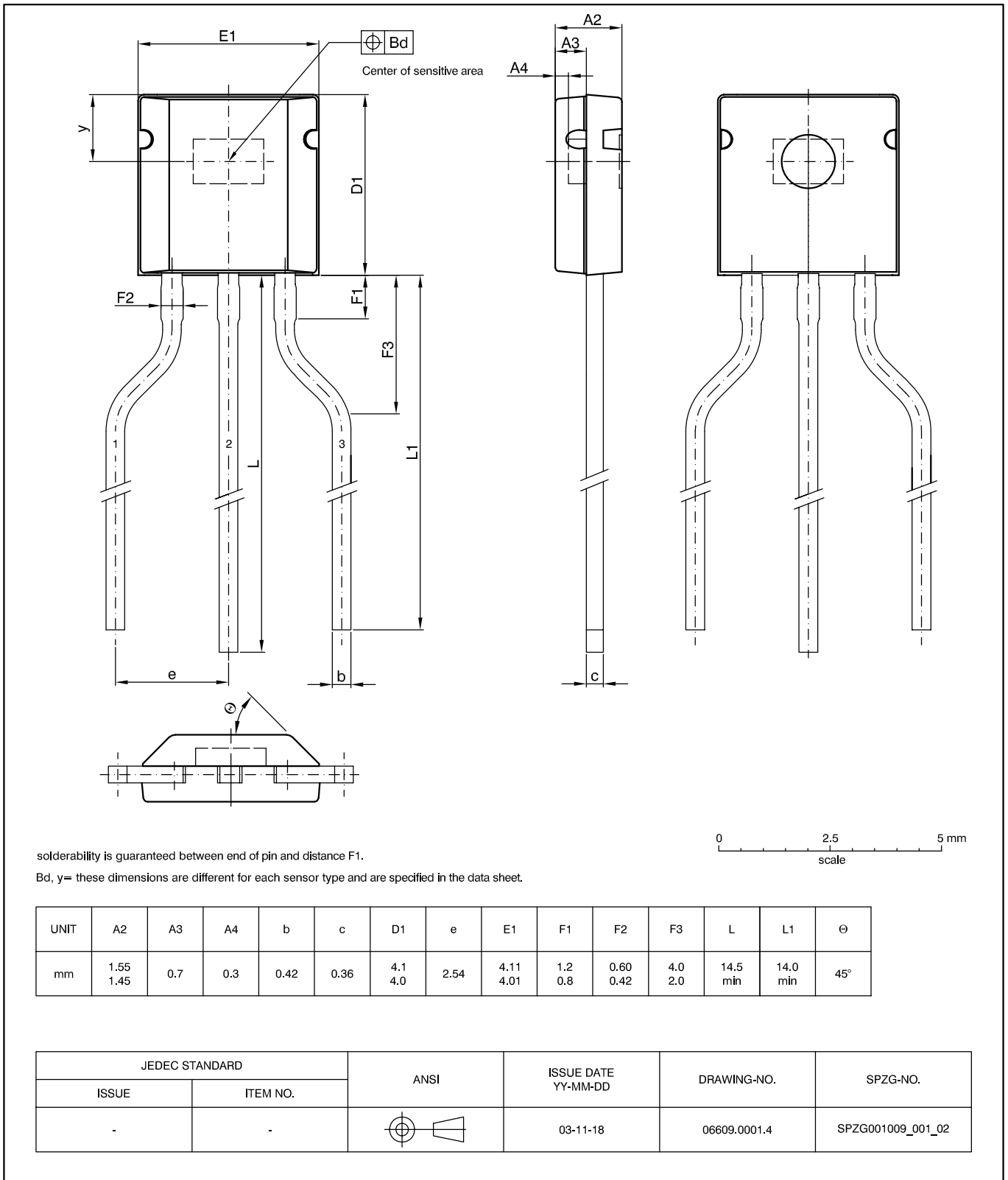
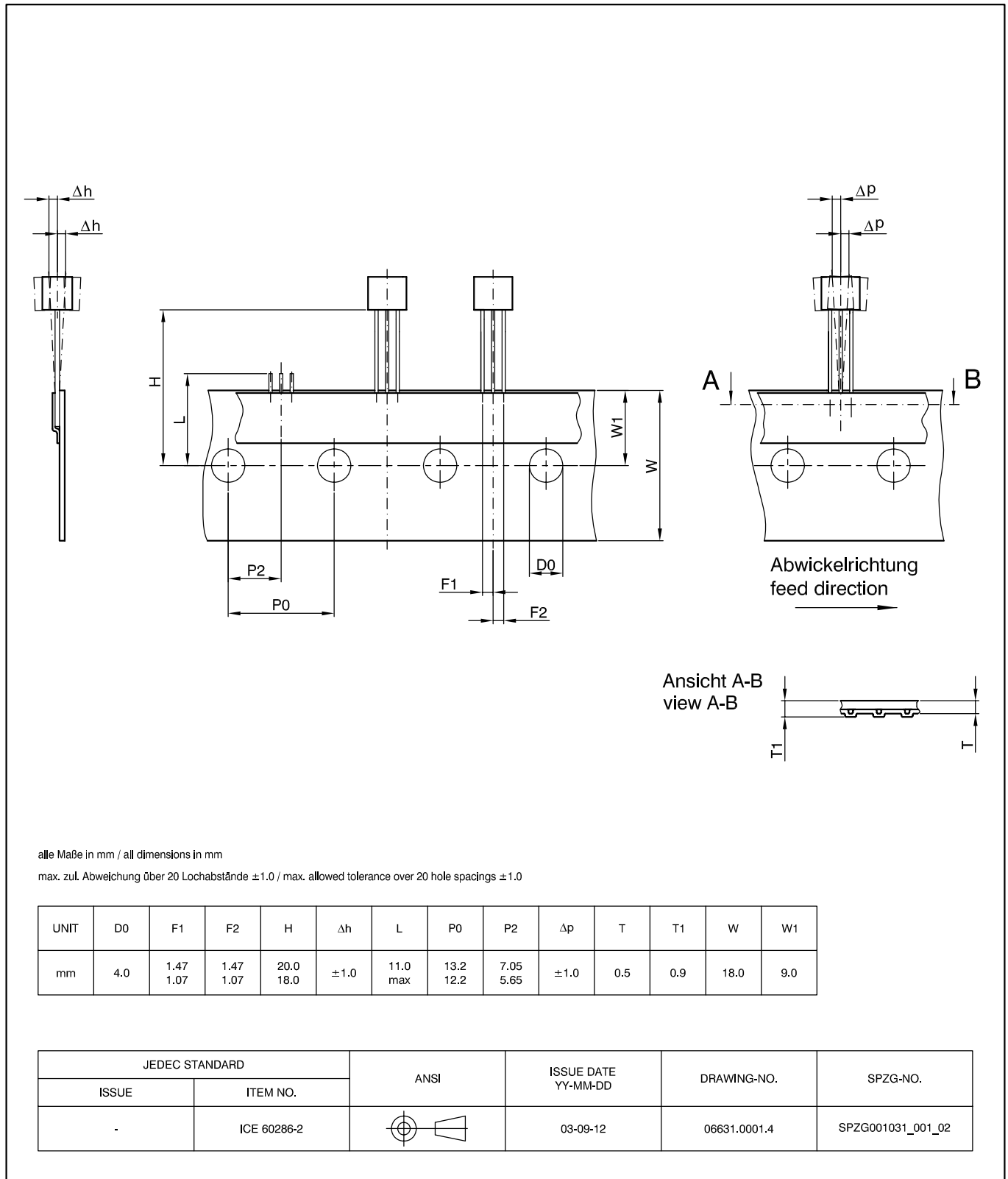


Fig. 3-1:  
**TO92UT-2:** Plastic Transistor Standard UT package, 3 leads, not spread  
 Weight approximately 0.12 g



**Fig. 3-2:**  
**TO92UT-1:** Plastic Transistor Standard UT package, 3 leads, spread  
 Weight approximately 0.12 g



**Fig. 3-3:**  
**TO92UT-2: Dimensions ammpack inline**

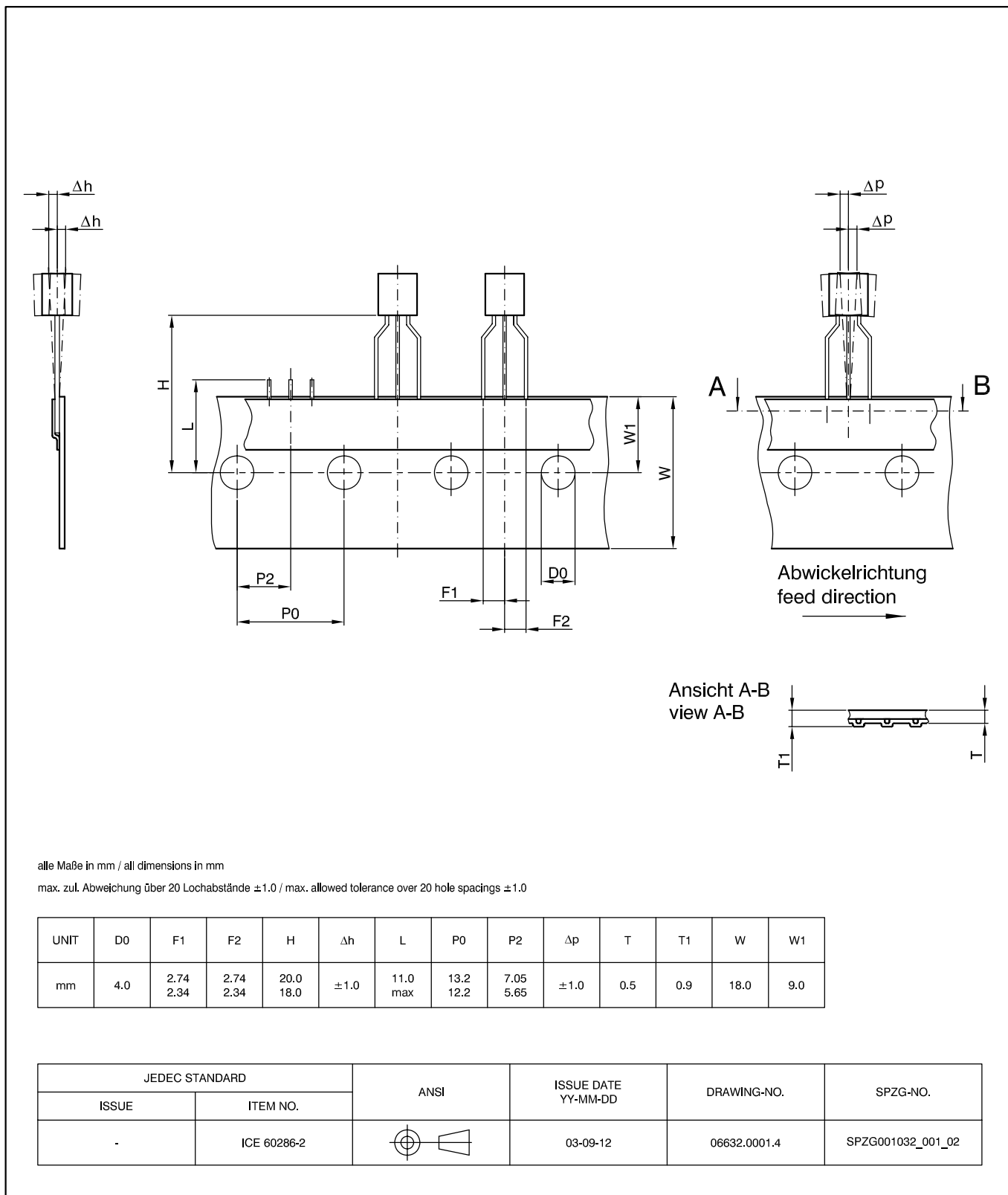


Fig. 3-4:  
 TO92UT-1: Dimensions ammpack inline, spread



### 3.2. Dimensions of Sensitive Area

0.25 mm x 0.25 mm

### 3.3. Position of Sensitive Areas

TO92UT-1/-2	
x	center of the package
y	1.5 mm nominal
Bd	0.3 mm

### 3.4. Absolute Maximum Ratings

Stresses beyond those listed in the “Absolute Maximum Ratings” may cause permanent damage to the device. This is a stress rating only. Functional operation of the device at these conditions is not implied. Exposure to absolute maximum rating conditions for extended periods will affect device reliability.

This device contains circuitry to protect the inputs and outputs against damage due to high static voltages or electric fields; however, it is advised that normal precautions be taken to avoid application of any voltage higher than absolute maximum-rated voltages to this circuit.

All voltages listed are referenced to ground (GND).

Symbol	Parameter	Pin No.	Min.	Max.	Unit
$V_{DD}$	Supply Voltage	1	-8.5	8.5	V
$V_{DD}$	Supply Voltage	1	-14.4 <sup>1) 2)</sup>	14.4 <sup>1) 2)</sup>	V
$-I_{DD}$	Reverse Supply Current	1	-	50 <sup>1)</sup>	mA
$V_{OUT}$	Output Voltage	3	-5 <sup>5)</sup> -5 <sup>5)</sup>	8.5 <sup>3)</sup> 14.4 <sup>3) 2)</sup>	V
$V_{OUT} - V_{DD}$	Excess of Output Voltage over Supply Voltage	3,1	-	2	V
$I_{OUT}$	Continuous Output Current	3	-10	10	mA
$t_{Sh}$	Output Short Circuit Duration	3	-	10	min
$T_J$	Junction Temperature Range	-	-40 -40	170 <sup>4)</sup> 150	°C °C
$N_{PROG}$	Number of Programming Cycles	-	-	100	

<sup>1)</sup> as long as  $T_{Jmax}$  is not exceeded  
<sup>2)</sup>  $t < 10$  min ( $V_{DDmin} = -15$  V for  $t < 1$  min,  $V_{DDmax} = 16$  V for  $t < 1$  min)  
<sup>3)</sup> as long as  $T_{Jmax}$  is not exceeded, output is not protected to external 14 V-line (or to -14 V)  
<sup>4)</sup>  $t < 1000$ h  
<sup>5)</sup> internal protection resistor = 100  $\Omega$

**3.4.1. Storage and Shelf Life**

The permissible storage time (shelf life) of the sensors is unlimited, provided the sensors are stored at a maximum of 30 °C and a maximum of 85% relative humidity. At these conditions, no Dry Pack is required.

Solderability is guaranteed for one year from the date code on the package.

**3.5. Recommended Operating Conditions**

Functional operation of the device beyond those indicated in the “Recommended Operating Conditions/Characteristics” is not implied and may result in unpredictable behavior of the device and may reduce reliability and lifetime.

All voltages listed are referenced to ground (GND).

Symbol	Parameter	Pin No.	Min.	Typ.	Max.	Unit
V <sub>DD</sub>	Supply Voltage	1	4.5	5	5.5	V
I <sub>OUT</sub>	Continuous Output Current	3	-1	-	1	mA
R <sub>L</sub>	Load Resistor	3	4.5	-	-	kΩ
C <sub>L</sub>	Load Capacitance	3	0.33	10	1000	nF

**3.6. Characteristics**

at T<sub>J</sub> = -40 °C to +170 °C, V<sub>DD</sub> = 4.5 V to 5.5 V, GND = 0 V after programming and locking, at Recommended Operation Conditions if not otherwise specified in the column “Conditions”. Typical Characteristics for T<sub>J</sub> = 25 °C and V<sub>DD</sub> = 5 V.

Symbol	Parameter	Pin No.	Min.	Typ.	Max.	Unit	Test Conditions
I <sub>DD</sub>	Supply Current over Temperature Range	1	-	7	10	mA	
V <sub>DDZ</sub>	Overshoot Protection at Supply	1	-	17.5	20	V	I <sub>DD</sub> = 25 mA, T <sub>J</sub> = 25 °C, t = 20 ms
V <sub>OZ</sub>	Overshoot Protection at Output	3	-	17	19.5	V	I <sub>O</sub> = 10 mA, T <sub>J</sub> = 25 °C, t = 20 ms
	Resolution	3	-	12	-	bit	ratiometric to V <sub>DD</sub> <sup>1)</sup>
INL	Non-Linearity of Output Voltage over Temperature	3	-0.5	0	0.5	%	% of supply voltage <sup>2)</sup>
E <sub>R</sub>	Ratiometric Error of Output over Temperature (Error in V <sub>OUT</sub> / V <sub>DD</sub> )	3	-0.5	0	0.5	%	V <sub>OUT1</sub> - V <sub>OUT2</sub>   > 2 V during calibration procedure
	Ratiometricity of Output over Temperature $= \frac{V_{OUT}(V_{DD})}{V_{DD}} / \frac{V_{OUT}(V_{DD} = 5\text{ V})}{5\text{ V}}$	3	99.5	100	100.5	%	V <sub>OUT1</sub> - V <sub>OUT2</sub>   > 2 V during calibration procedure
ΔT <sub>K</sub>	Variation of Linear Temperature Coefficient	3	-400	0	400	ppm/k	if TC and TCSQ suitable for the application

<sup>1)</sup> Output DAC full scale = 5 V ratiometric, Output DAC offset = 0 V, Output DAC LSB = V<sub>DD</sub>/4096

<sup>2)</sup> if more than 50% of the selected magnetic field range are used and the temperature compensation is suitable

Symbol	Parameter	Pin No.	Min.	Typ.	Max.	Unit	Test Conditions
$\Delta V_{OUTCL}$	Accuracy of Output Voltage at Clamping Low Voltage over Temperature Range	3	-45	0	45	mV	$R_L = 4.7 \text{ k}\Omega$ , $V_{DD} = 5 \text{ V}$
$\Delta V_{OUTCH}$	Accuracy of Output Voltage at Clamping High Voltage over Temperature Range	3	-45	0	45	mV	$R_L = 4.7 \text{ k}\Omega$ , $V_{DD} = 5 \text{ V}$
$V_{OUTH}$	Output High Voltage	3	4.65	4.8	-	V	$V_{DD} = 5 \text{ V}$ , $-1 \text{ mA} \leq I_{OUT} \leq 1 \text{ mA}$
$V_{OUTL}$	Output Low Voltage	3	-	0.2	0.35	V	$V_{DD} = 5 \text{ V}$ , $-1 \text{ mA} \leq I_{OUT} \leq 1 \text{ mA}$
$f_{ADC}$	Internal ADC Frequency over Temperature Range	-	110	128	150	kHz	$V_{DD} = 4.5 \text{ V}$ to $8.5 \text{ V}$
$t_{r(O)}$	Response Time of Output	3	-	5 4 2 1	10 8 4 2	ms ms ms ms	3 dB Filter frequency = 80 Hz 3 dB Filter frequency = 160 Hz 3 dB Filter frequency = 500 Hz 3 dB Filter frequency = 2 kHz $C_L = 10 \text{ nF}$ , time from 10% to 90% of final output voltage for a steplike signal $B_{step}$ from 0 mT to $B_{max}$
$t_{d(O)}$	Delay Time of Output	3	-	0.1	0.5	ms	$C_L = 10 \text{ nF}$
$t_{POD}$	Power-Up Time (Time to reach stabilized Output Voltage)	-	-	6 5 3 2	11 9 5 3	ms ms ms ms	3 dB Filter frequency = 80 Hz 3 dB Filter frequency = 160 Hz 3 dB Filter frequency = 500 Hz 3 dB Filter frequency = 2 kHz $C_L = 10 \text{ nF}$ , 90% of $V_{OUT}$
BW	Small Signal Bandwidth (-3 dB)	3	-	2	-	kHz	$B_{AC} < 10 \text{ mT}$ ; 3 dB Filter frequency = 2 kHz
$V_{OUTn}$	Noise Output Voltage <sub>pp</sub>	3	-	3	6	mV	magnetic range = 90 mT <sup>1)</sup> 3 dB Filter frequency = 80 Hz Sensitivity $\leq 0.26$
$R_{OUT}$	Output Resistance over Recommended Operating Range	3	-	1	10	$\Omega$	$V_{OUTLmax} \leq V_{OUT} \leq V_{OUTHmin}$
$R_{thJA}$ TO92UT-1, TO92UT-2	Thermal Resistance Junction to Soldering Point	-	-	150	200	K/W	

<sup>1)</sup> peak-to-peak value exceeded: 5%

### 3.7. Magnetic Characteristics

at  $T_J = -40 \text{ }^\circ\text{C}$  to  $+170 \text{ }^\circ\text{C}$ ,  $V_{DD} = 4.5 \text{ V}$  to  $5.5 \text{ V}$ ,  $GND = 0 \text{ V}$  after programming and locking,  
at Recommended Operation Conditions if not otherwise specified in the column "Conditions".  
Typical Characteristics for  $T_J = 25 \text{ }^\circ\text{C}$  and  $V_{DD} = 5 \text{ V}$ .

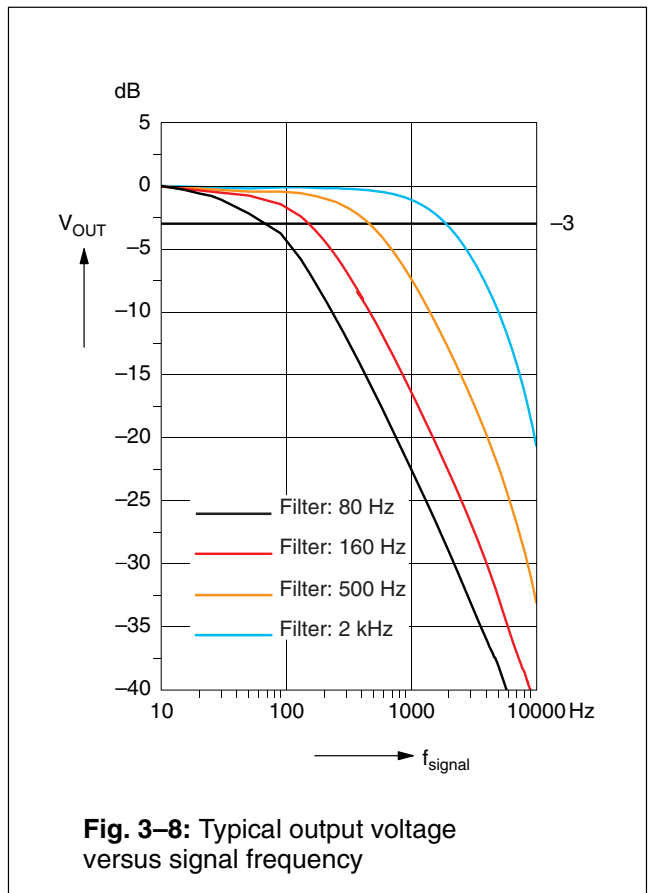
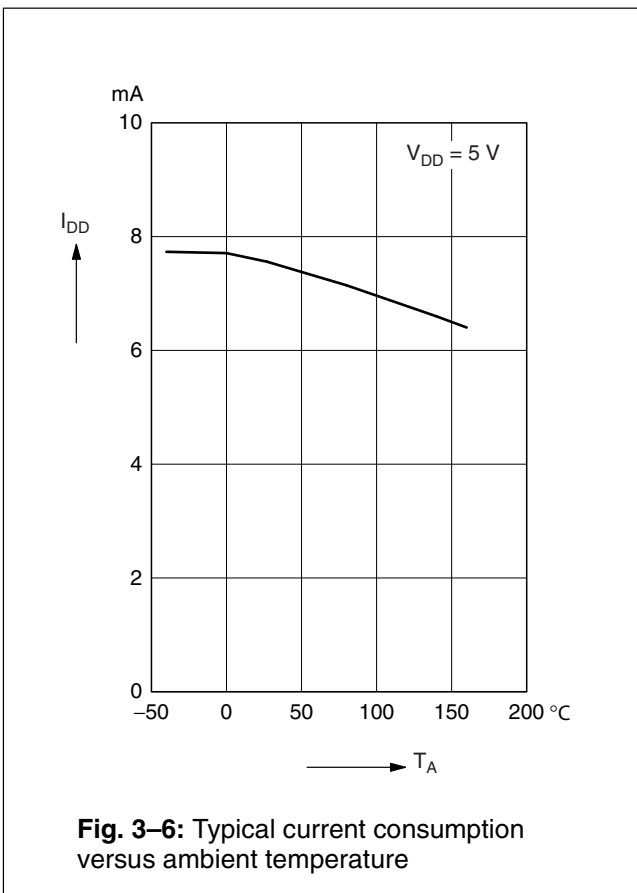
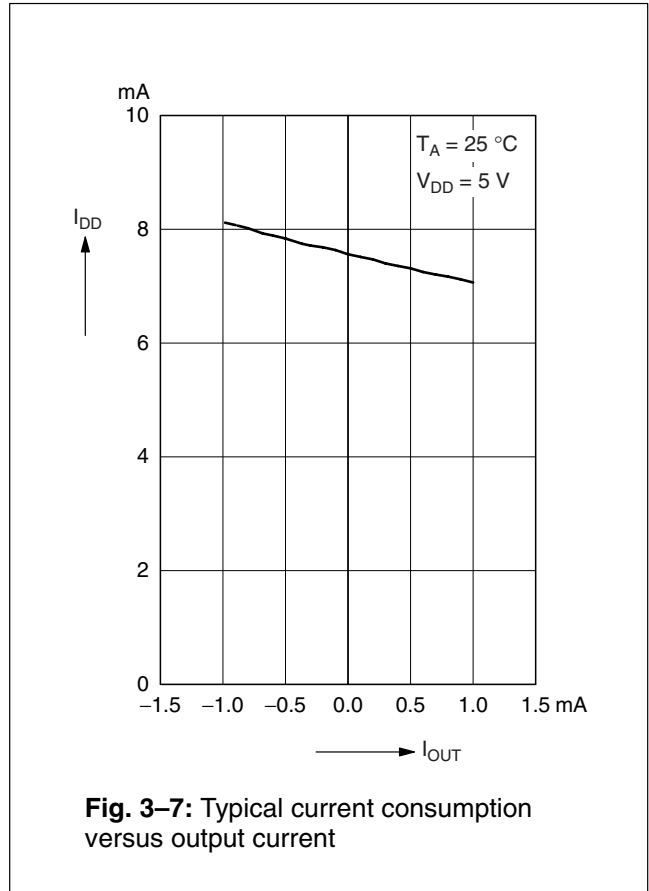
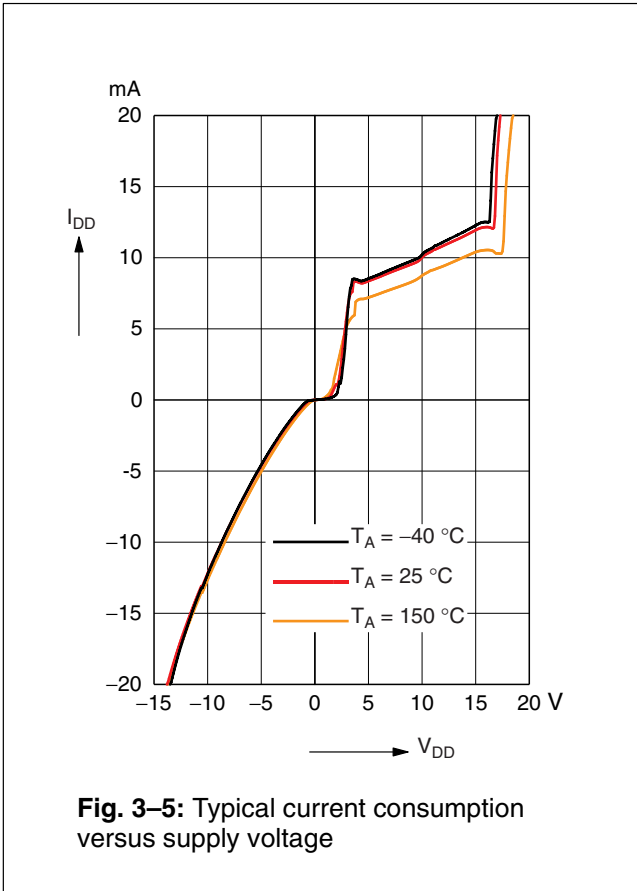
Symbol	Parameter	Pin No.	Min.	Typ.	Max.	Unit	Test Conditions
$B_{Offset}$	Magnetic Offset	3	-0.5	0	0.5	mT	$B = 0 \text{ mT}$ , $I_{OUT} = 0 \text{ mA}$ , $T_J = 25 \text{ }^\circ\text{C}$ unadjusted sensor
$\Delta B_{Offset}/\Delta T$	Magnetic Offset Change due to $T_J$		-10	0	10	$\mu\text{T/K}$	$B = 0 \text{ mT}$ , $I_{OUT} = 0 \text{ mA}$

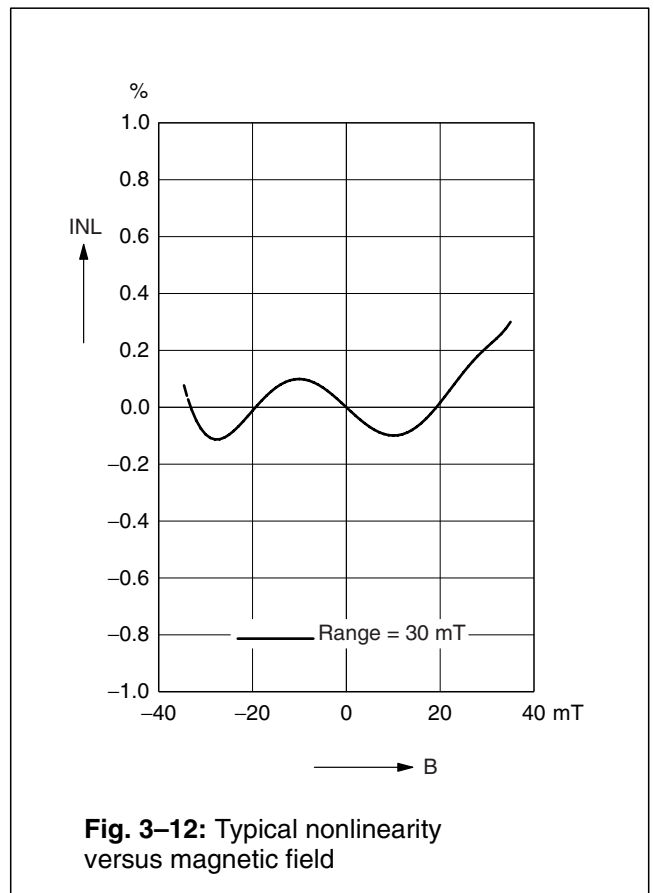
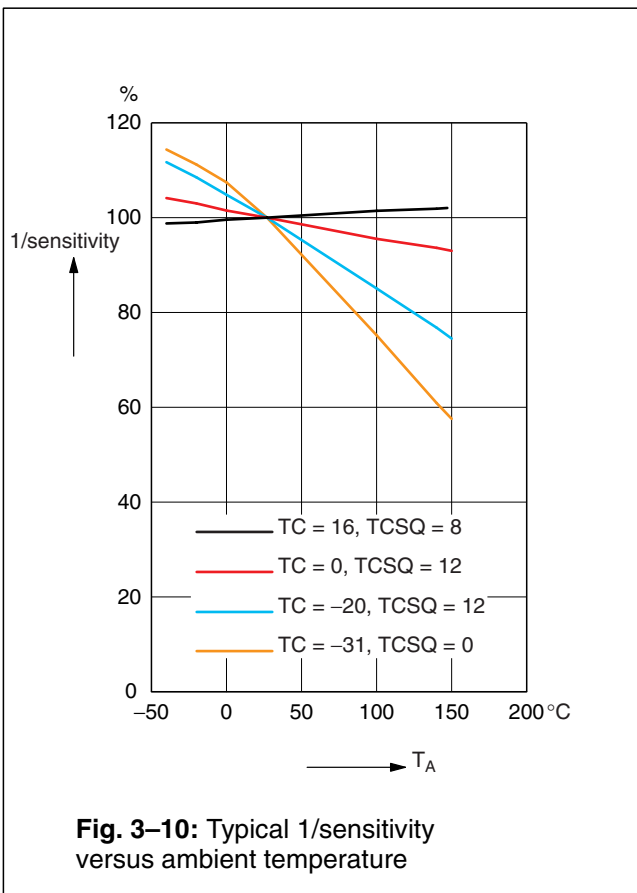
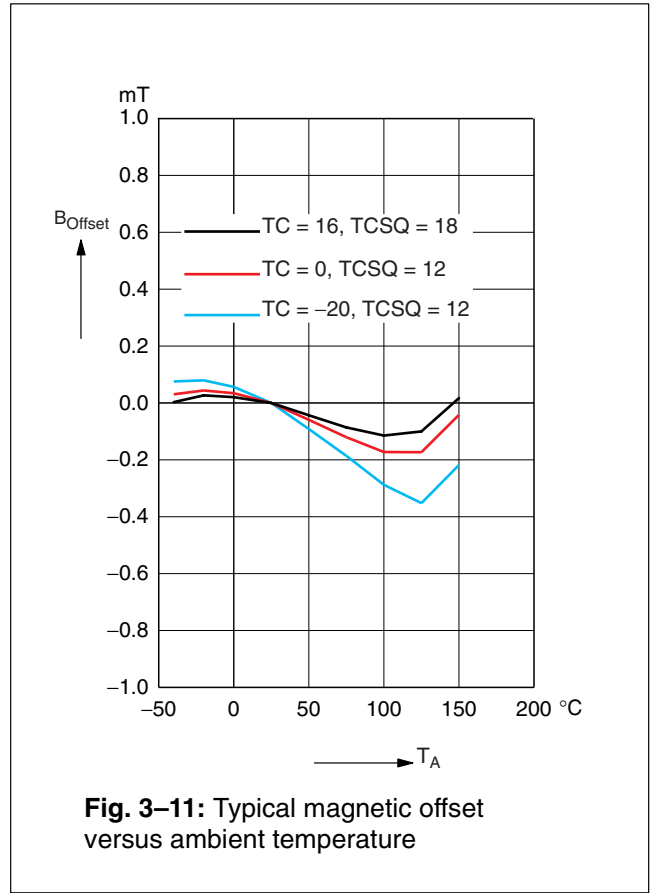
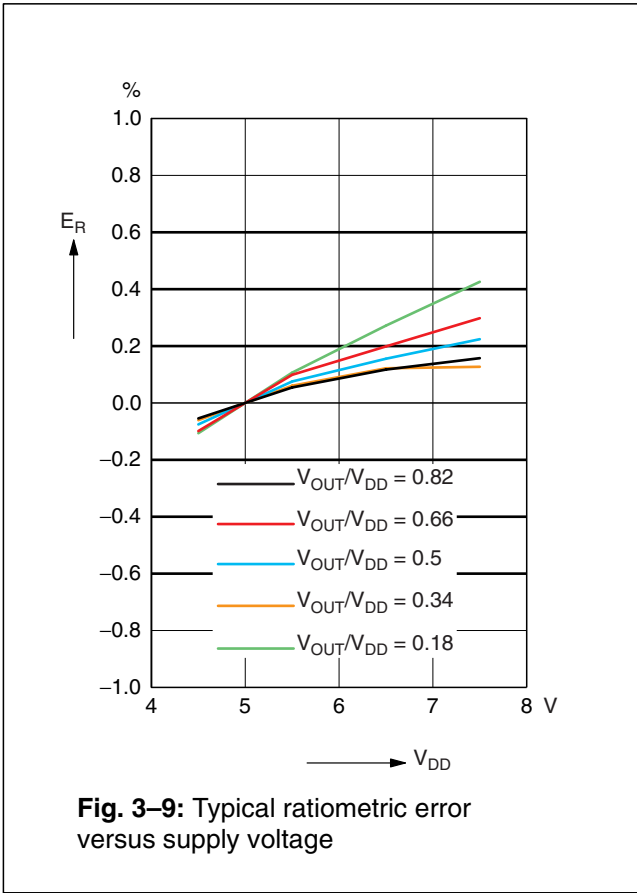
### 3.8. Open Circuit Detection

at  $T_J = -40\text{ }^\circ\text{C}$  to  $+170\text{ }^\circ\text{C}$ , Typical Characteristics for  $T_J = 25\text{ }^\circ\text{C}$ , after locking the sensor

Symbol	Parameter	Pin No.	Min.	Typ.	Max.	Unit	Test Conditions
$V_{OUT}$	Output voltage at open $V_{DD}$ line	3	0	0	0.2	V	$V_{DD} = 5\text{ V}$ $R_L = 10\text{ k}\Omega$ to GND
$V_{OUT}$	Output voltage at open GND line	3	4.7	4.8	5	V	$V_{DD} = 5\text{ V}$ $R_L = 10\text{ k}\Omega$ to GND

3.9. Typical Characteristics





4. Application Notes

4.1. Application Circuit

For EMC protection, it is recommended to connect one ceramic 4.7 nF capacitor each between ground and the supply voltage, respectively the output voltage pin. In addition, the input of the controller unit should be pulled-down with a 4.7 kOhm resistor and a ceramic 4.7 nF capacitor.

Please note that during programming, the sensor will be supplied repeatedly with the programming voltage of 12.5 V for 100 ms. All components connected to the V<sub>DD</sub> line at this time must be able to resist this voltage.

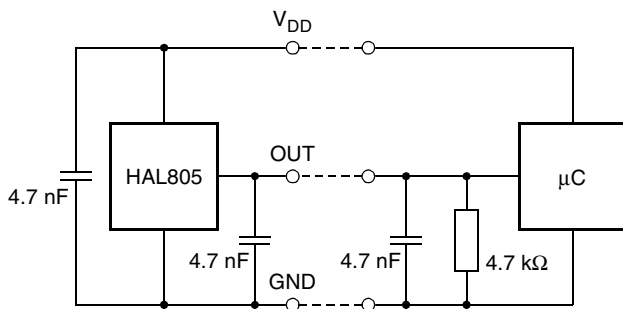


Fig. 4-1: Recommended application circuit

4.2. Use of two HAL 805 in Parallel

Two different HAL805 sensors which are operated in parallel to the same supply and ground line can be programmed individually. In order to select the IC which should be programmed, both Hall ICs are inactivated by the “Deactivate” command on the common supply line. Then, the appropriate IC is activated by an “Activate” pulse on its output. Only the activated sensor will react to all following read, write, and program commands. If the second IC has to be programmed, the “Deactivate” command is sent again, and the second IC can be selected.

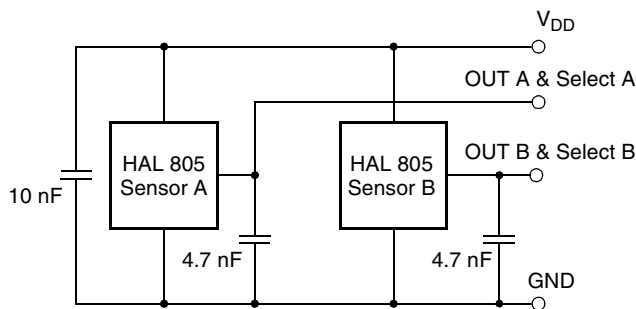


Fig. 4-2: Parallel operation of two HAL 805

4.3. Temperature Compensation

The relationship between the temperature coefficient of the magnet and the corresponding TC and TCSQ codes for linear compensation is given in the following table. In addition to the linear change of the magnetic field with temperature, the curvature can be adjusted as well. For this purpose, other TC and TCSQ combinations are required which are not shown in the table. Please contact Micronas for more detailed information on this higher order temperature compensation.

The HAL810, HAL815, and HAL805 contain the same temperature compensation circuits. If an optimal setting for the HAL810, HAL815 is already available, the same settings may be used for the HAL805.

Temperature Coefficient of Magnet (ppm/K)	TC	TCSQ
400	31	6
300	28	7
200	24	8
100	21	9
0	18	10
-50	17	10
-90	16	11
-130	15	11
-170	14	11
-200	13	12
-240	12	12
-280	11	12
-320	10	13
-360	9	13
-410	8	13
-450	7	13
-500	6	14
-550	5	14
-600	4	14
-650	3	14
-700	2	15
-750	1	15

Temperature Coefficient of Magnet (ppm/K)	TC	TCSQ
-810	0	15
-860	-1	16
-910	-2	16
-960	-3	16
-1020	-4	17
-1070	-5	17
-1120	-6	17
-1180	-7	18
-1250	-8	18
-1320	-9	19
-1380	-10	19
-1430	-11	20
-1500	-12	20
-1570	-13	20
-1640	-14	21
-1710	-15	21
-1780	-16	22
-1870	-17	22
-1950	-18	23
-2030	-19	23
-2100	-20	24
-2180	-21	24
-2270	-22	25
-2420	-24	26
-2500	-25	27
-2600	-26	27
-2700	-27	28
-2800	-28	28
-2900	-29	29
-3000	-30	30
-3100	-31	31

**4.4. Undervoltage Behavior**

In a voltage range below 4.5 V to approximately 3.5 V, the operation of the HAL 805 is typically given and predictable for the most sensors. Some of the parameters may be out of the specification. Below about 3.5 V, the digital processing is reset. If the supply voltage once again rises above about 3.5 V, a startup time of about 20 μs elapses for the digital processing to occur. As long as the supply voltage is still above about 3.2 V, the analog output is kept at its last valid value ratiometric to V<sub>DD</sub>. Below about 3 V, the entire sensor will reset.

**4.5. Ambient Temperature**

Due to the internal power dissipation, the temperature on the silicon chip (junction temperature T<sub>J</sub>) is higher than the temperature outside the package (ambient temperature T<sub>A</sub>).

$$T_J = T_A + \Delta T$$

At static conditions and continuous operation, the following equation applies:

$$\Delta T = I_{DD} * V_{DD} * R_{thJA}$$

For typical values, use the typical parameters. For worst case calculation, use the max. parameters for I<sub>DD</sub> and R<sub>th</sub>, and the max. value for V<sub>DD</sub> from the application.

For V<sub>DD</sub> = 5.5 V, R<sub>th</sub> = 200 K/W and I<sub>DD</sub> = 10 mA the temperature difference ΔT = 11 K.

For all sensors, the junction temperature T<sub>J</sub> is specified. The maximum ambient temperature T<sub>Amax</sub> can be calculated as:

$$T_{Amax} = T_{Jmax} - \Delta T$$

**4.6. EMC and ESD**

The HAL805 is designed for a stabilized 5 V supply. Interferences and disturbances conducted along the 12 V onboard system (product standard ISO 7637 part 1) are not relevant for these applications.

For applications with disturbances by capacitive or inductive coupling on the supply line or radiated disturbances, the application circuit shown in Fig. 4-1 is recommended. Applications with this arrangement passed the EMC tests according to the product standards ISO 7637 part 3 (Electrical transient transmission by capacitive or inductive coupling) and part 4 (Radiated disturbances).

Please contact Micronas for the detailed investigation reports with the EMC and ESD results.



**5. Programming of the Sensor**

**5.1. Definition of Programming Pulses**

The sensor is addressed by modulating a serial telegram on the supply voltage. The sensor answers with a serial telegram on the output pin.

The bits in the serial telegram have a different bit time for the  $V_{DD}$ -line and the output. The bit time for the  $V_{DD}$ -line is defined through the length of the Sync Bit at the beginning of each telegram. The bit time for the output is defined through the Acknowledge Bit.

A logical “0” is coded as no voltage change within the bit time. A logical “1” is coded as a voltage change between 50% and 80% of the bit time. After each bit, a voltage change occurs.

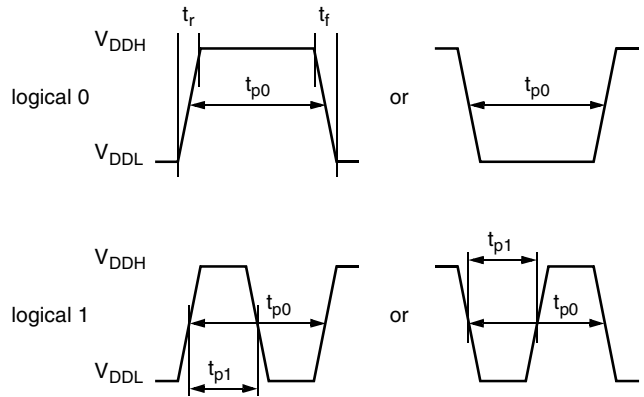
**5.2. Definition of the Telegram**

Each telegram starts with the Sync Bit (logical 0), 3 bits for the Command (COM), the Command Parity Bit (CP), 4 bits for the Address (ADR), and the Address Parity Bit (AP).

There are 4 kinds of telegrams:

- Write a register (see Fig. 5–2)  
After the AP Bit, follow 14 Data Bits (DAT) and the Data Parity Bit (DP). If the telegram is valid and the command has been processed, the sensor answers with an Acknowledge Bit (logical 0) on the output.

- Read a register (see Fig. 5–3)  
After evaluating this command, the sensor answers with the Acknowledge Bit, 14 Data Bits, and the Data Parity Bit on the output.
- Programming the EEPROM cells (see Fig. 5–4)  
After evaluating this command, the sensor answers with the Acknowledge Bit. After the delay time  $t_w$ , the supply voltage rises up to the programming voltage.
- Activate a sensor (see Fig. 5–5)  
If more than one sensor is connected to the supply line, selection can be done by first deactivating all sensors. The output of all sensors will be pulled to ground by the internal 10 kΩ resistors. With an Activate pulse on the appropriate output pin, an individual sensor can be selected. All following commands will only be accepted from the activated sensor.



**Fig. 5–1:** Definition of logical 0 and 1 bit

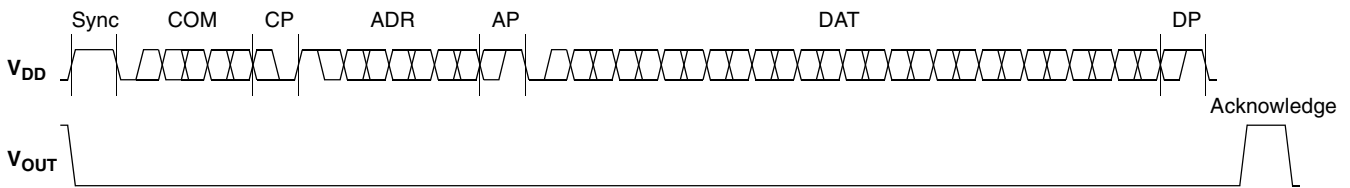
**Table 5–1:** Telegram parameters

Symbol	Parameter	Pin	Min.	Typ.	Max.	Unit	Remarks
$V_{DDL}$	Supply Voltage for Low Level during Programming	1	5	5.6	6	V	
$V_{DDH}$	Supply Voltage for High Level during Programming	1	6.8	8.0	8.5	V	
$t_r$	Rise time	1			0.05	ms	
$t_f$	Fall time	1			0.05	ms	
$t_{p0}$	Bit time on $V_{DD}$	1	1.7	1.75	1.8	ms	$t_{p0}$ is defined through the Sync Bit
$t_{pOUT}$	Bit time on output pin	3	2	3	4	ms	$t_{pOUT}$ is defined through the Acknowledge Bit
$t_{p1}$	Voltage Change for logical 1	1, 3	50	65	80	%	% of $t_{p0}$ or $t_{pOUT}$
$V_{DDPROG}$	Supply Voltage for Programming the EEPROM	1	12.4	12.5	12.6	V	
$t_{PROG}$	Programming Time for EEPROM	1	95	100	105	ms	
$t_{rp}$	Rise time of programming voltage	1	0.2	0.5	1	ms	

**Table 5-1:** Telegram parameters, continued

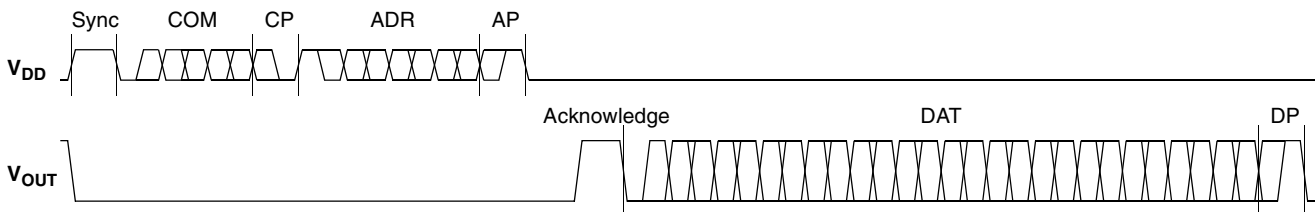
Symbol	Parameter	Pin	Min.	Typ.	Max.	Unit	Remarks
$t_{fp}$	Fall time of programming voltage	1	0		1	ms	
$t_w$	Delay time of programming voltage after Acknowledge	1	0.5	0.7	1	ms	
$V_{act}$	Voltage for an Activate pulse	3	3	4	5	V	
$t_{act}$	Duration of an Activate pulse	3	0.05	0.1	0.2	ms	

**WRITE**



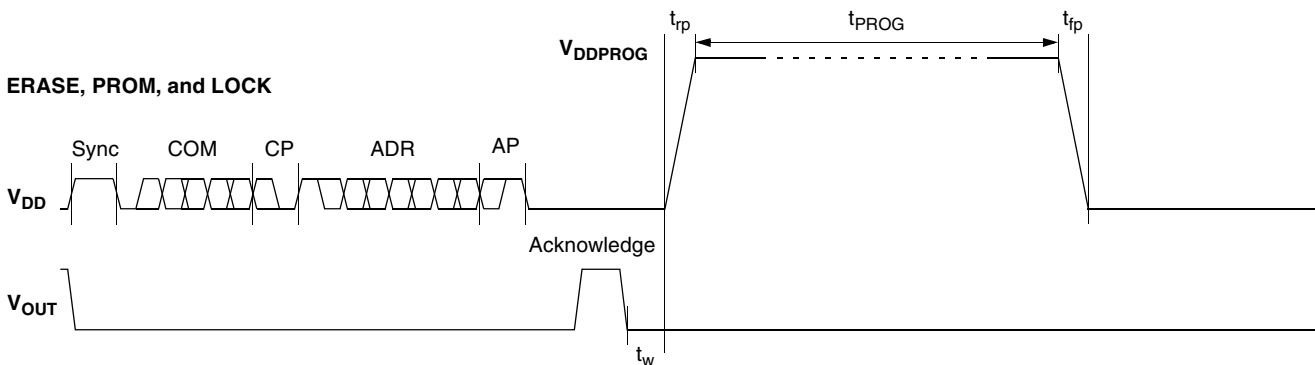
**Fig. 5-2:** Telegram for coding a Write command

**READ**

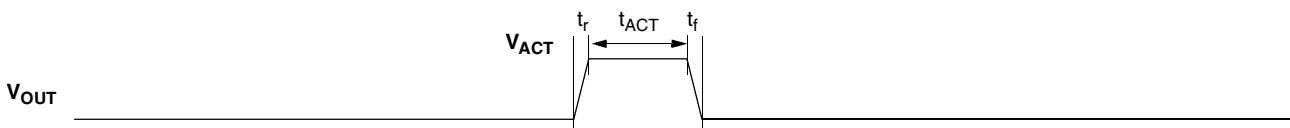


**Fig. 5-3:** Telegram for coding a Read command

**ERASE, PROM, and LOCK**



**Fig. 5-4:** Telegram for coding the EEPROM programming



**Fig. 5-5:** Activate pulse

### 5.3. Telegram Codes

#### Sync Bit

Each telegram starts with the Sync Bit. This logical “0” pulse defines the exact timing for  $t_{p0}$ .

#### Command Bits (COM)

The Command code contains 3 bits and is a binary number. Table 5–2 shows the available commands and the corresponding codes for the HAL805.

#### Command Parity Bit (CP)

This parity bit is “1” if the number of zeros within the 3 Command Bits is uneven. The parity bit is “0”, if the number of zeros is even.

#### Address Bits (ADR)

The Address code contains 4 bits and is a binary number. Table 5–3 shows the available addresses for the HAL805 registers.

#### Address Parity Bit (AP)

This parity bit is “1” if the number of zeros within the 4 Address bits is uneven. The parity bit is “0” if the number of zeros is even.

#### Data Bits (DAT)

The 14 Data Bits contain the register information.

The registers use different number formats for the Data Bits. These formats are explained in Section 5.4.

In the Write command, the last bits are valid. If, for example, the TC register (6 bits) is written, only the last 6 bits are valid.

In the Read command, the first bits are valid. If, for example, the TC register (6 bits) is read, only the first 6 bits are valid.

#### Data Parity Bit (DP)

This parity bit is “1” if the number of zeros within the binary number is even. The parity bit is “0” if the number of zeros is uneven.

#### Acknowledge

After each telegram, the output answers with the Acknowledge signal. This logical “0” pulse defines the exact timing for  $t_{pOUT}$ .

**Table 5–2:** Available commands

Command	Code	Explanation
READ	2	read a register
WRITE	3	write a register
PROM	4	program all nonvolatile registers (except the lock bits)
ERASE	5	erase all nonvolatile registers (except the lock bits)
LOCK	7	lock the whole device and switch permanently to the analog-mode

**5.4. Number Formats**

**Binary number:**

The most significant bit is given as first, the least significant bit as last digit.

Example: 101001 represents 41 decimal.

**Signed binary number:**

The first digit represents the sign of the following binary number (1 for negative, 0 for positive sign).

Example: 0101001 represents +41 decimal  
 1101001 represents -41 decimal

**Two-complementary number:**

The first digit of positive numbers is “0”, the rest of the number is a binary number. Negative numbers start with “1”. In order to calculate the absolute value of the number, calculate the complement of the remaining digits and add “1”.

Example: 0101001 represents +41 decimal  
 1010111 represents -41 decimal

**Table 5-3:** Available register addresses

Register	Code	Data Bits	Format	Customer	Remark
CLAMP-LOW	1	10	binary	read/write/program	Low clamping voltage
CLAMP-HIGH	2	11	binary	read/write/program	High clamping voltage
VOQ	3	11	two compl. binary	read/write/program	
SENSITIVITY	4	14	signed binary	read/write/program	
MODE	5	6	binary	read/write/program	Range and filter settings
LOCKR	6	1	binary	lock	Lock Bit
ADC-READOUT	7	14	two compl. binary	read	
TC	11	6	signed binary	read/write/program	
TCSQ	12	5	binary	read/write/program	
DEACTIVATE	15	12	binary	write	Deactivate the sensor

Micronas registers (read only for customers)

Register	Code	Data Bits	Format	Remark
OFFSET	8	5	two compl. binary	ADC offset adjustment
FOSCAD	9	5	binary	Oscillator frequency adjustment
SPECIAL	13	8		special settings

## 5.5. Register Information

### CLAMP-LOW

- The register range is from 0 up to 1023.
- The register value is calculated by:

$$CLAMP-LOW = \frac{\text{Low Clamping Voltage}}{V_{DD}} * 2048$$

### CLAMP-HIGH

- The register range is from 0 up to 2047.
- The register value is calculated by:

$$CLAMP-HIGH = \frac{\text{High Clamping Voltage}}{V_{DD}} * 2048$$

### VOQ

- The register range is from –1024 up to 1023.
- The register value is calculated by:

$$VOQ = \frac{V_{OQ}}{V_{DD}} * 1024$$

### SENSITIVITY

- The register range is from –8192 up to 8191.
- The register value is calculated by:

$$SENSITIVITY = \text{Sensitivity} * 2048$$

### TC and TCSQ

- The TC register range is from –31 up to 31.
- The TCSQ register range is from 0 up to 31.

Please refer Section 4.2. on page 23 for the recommended values.

### MODE

- The register range is from 0 up to 63 and contains the settings for FILTER and RANGE:

$$MODE = FILTER * 8 + RANGE$$

Please refer Section 2.2. on page 8 for the available FILTER and RANGE values.

### ADC-READOUT

- This register is read only.
- The register range is from –8192 up to 8191.

### DEACTIVATE

- This register can only be written.
- The register has to be written with 2063 decimal (80F hexadecimal) for the deactivation.
- The sensor can be reset with an Activate pulse on the output pin or by switching off and on the supply voltage.

## 5.6. Programming Information

If the content of any register (except the lock registers) is to be changed, the desired value must first be written into the corresponding RAM register. Before reading out the RAM register again, the register value must be permanently stored in the EEPROM.

Permanently storing a value in the EEPROM is done by first sending an ERASE command followed by sending a PROM command. The address within the ERASE and PROM commands is not important. ERASE and PROM act on all registers in parallel.

If all HAL805 registers are to be changed, all writing commands can be sent one after the other, followed by sending one ERASE and PROM command at the end.

During all communication sequences, the customer has to check if the communication with the sensor was successful. This means that the acknowledge and the parity bits sent by the sensor have to be checked by the customer. If the Micronas programmer board is used, the customer has to check the error flags sent from the programmer board.

**Note:** For production and qualification tests, it is mandatory to set the LOCK bit after final adjustment and programming of HAL805. The LOCK function is active after the next power-up of the sensor. Micronas also recommends sending an additional ERASE command after sending the LOCK command.

The success of the Lock Process should be checked by reading at least one sensor register after locking and/or by an analog check of the sensors output signal.

Electrostatic Discharges (ESD) may disturb the programming pulses. Please take precautions against ESD.

**6. Data Sheet History**

1. Data Sheet: "HAL 805 Programmable Linear Hall Effect Sensor", Aug. 16, 2002, 6251-513-1DS. First release of the data sheet.
2. Data Sheet: "HAL 805 Programmable Linear Hall Effect Sensor", ..., 6251-513-2ds. Second release of the data sheet. Major changes:
  - new package diagram for TO92UT-1
  - package diagram for TO92UT-2 added
  - ammopack diagrams for TO92UT-1/-2 added
3. Data Sheet: "HAL 805 Programmable Linear Hall Effect Sensor", Feb. 14, 2006, 6251-513-3DS. Third release of the data sheet. Major changes:
  - characteristics updated

**SUNSTAR商斯达实业集团**是集研发、生产、工程、销售、代理经销、技术咨询、信息服务等为一体的高科技企业，是专业高科技电子产品生产厂家，是具有10多年历史的专业电子元器件供应商，是中国最早和最大的仓储式连锁规模经营大型综合电子零部件代理分销商之一，是一家专业代理和分销世界各大品牌IC芯片和电子元器件的连锁经营综合性国际公司。在香港、北京、深圳、上海、西安、成都等全国主要电子市场设有直属分公司和产品展示展销窗口门市部专卖店及代理分销商，已在全国范围内建成强大统一的供货和代理分销网络。我们专业代理经销、开发生产电子元器件、集成电路、传感器、微波光电元器件、工控机/DOC/DOM电子盘、专用电路、单片机开发、MCU/DSP/ARM/FPGA软件硬件、二极管、三极管、模块等，是您可靠的一站式现货配套供应商、方案提供商、部件功能模块开发配套商。专业以现代信息产业（计算机、通讯及传感器）三大支柱之一的传感器为主营业务，专业经营各类传感器的代理、销售生产、网络信息、科技图书资料及配套产品设计、工程开发。我们的专业网站——**中国传感器科技信息网（全球传感器数据库）www.SENSOR-IC.COM** 服务于全球高科技生产商及贸易商，为企业科技产品开发提供技术交流平台。欢迎各厂商互通有无、交换信息、交换链接、发布寻求代理信息。欢迎国外高科技传感器、变送器、执行器、自动控制产品厂商介绍产品到**中国**，共同开拓市场。本网站是关于各种传感器-变送器-仪器仪表及工业自动化大型专业网站，深入到工业控制、系统工程计 测量、自动化、安防报警、消费电子等众多领域，把最新的传感器-变送器-仪器仪表买卖信息，最新技术供求，最新采购商，行业动态，发展方向，最新的技术应用和市场资讯及时的传递给广大科技开发、科学研究、产品设计人员。本网站已成功为石油、化工、电力、医药、生物、航空、航天、国防、能源、冶金、电子、工业、农业、交通、汽车、矿山、煤炭、纺织、信息、通信、IT、安防、环保、印刷、科研、气象、仪器仪表等领域从事科学研究、产品设计、开发、生产制造的科技人员、管理人员、和采购人员提供满意服务。**我公司专业开发生产、代理、经销、销售各种传感器、变送器、敏感元器件、开关、执行器、仪器仪表、自动化控制系统：**专门从事设计、生产、销售各种传感器、变送器、各种测控仪表、热工仪表、现场控制器、计算机控制系统、数据采集系统、各类环境监控系统、专用控制系统应用软件以及嵌入式系统开发及应用等工作。如热敏电阻、压敏电阻、温度传感器、温度变送器、湿度传感器、湿度变送器、气体传感器、气体变送器、压力传感器、压力变送、称重传感器、物（液）位传感器、物（液）位变送器、流量传感器、流量变送器、电流（压）传感器、溶氧传感器、霍尔传感器、图像传感器、超声波传感器、位移传感器、速度传感器、加速度传感器、扭距传感器、红外传感器、紫外传感器、火焰传感器、激光传感器、振动传感器、轴角传感器、光电传感器、接近传感器、干簧管传感器、继电器传感器、微型电泵、磁敏（阻）传感器、压力开关、接近开关、光电开关、色标传感器、光纤传感器、齿轮测速传感器、时间继电器、计数器、计米器、温控仪、固态继电器、调压模块、电磁铁、电压表、电流表等特殊传感器。同时承接传感器应用电路、产品设计和自动化工程项目。

欢迎索取免费详细资料、设计指南和光盘；产品凡多，未能尽录，欢迎来电查询。

更多产品请看本公司产品专用销售网站：

商斯达中国传感器科技信息网：<http://www.sensor-ic.com/>

商斯达工控安防网：<http://www.pc-ps.net/>

商斯达电子元器件网：<http://www.sunstare.com/>

商斯达微波光电产品网：[HTTP://www.rfoe.net/](http://www.rfoe.net/)

商斯达消费电子产品网：<http://www.icasic.com/>

商斯达军工产品网：<http://www.junpinic.com/>

商斯达实业科技产品网：<http://www.sunstars.cn/>传感器销售热线：

电话：0755-83607652 83376489 83376549 83370250 83370251 82500323

传真：0755-83376182 (0) 13902971329 MSN: [SUNS888@hotmail.com](mailto:SUNS888@hotmail.com)

邮编：518033 E-mail: [szss20@163.com](mailto:szss20@163.com) QQ: 195847376

技术支持：0755-83394033 13501568376