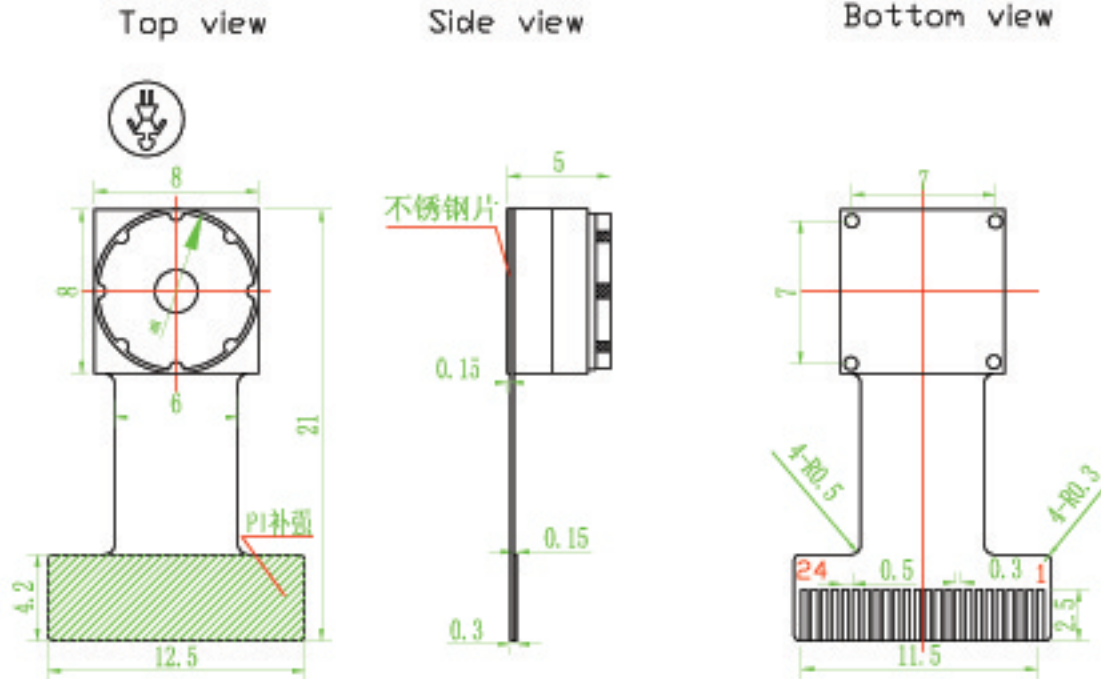


REV.	DATE	BY	APP. BY
------	------	----	---------

CONNECTOR  
24PIN DESCRIPTION

NO.	SYMBOL
1	NC
2	AGND
3	SIO D
4	AVDD(3.0V)
5	SIO C
6	RESET
7	VSYNC
8	PWDN
9	HREF
10	DVDD(1.8V)
11	DOVDD(2.8V)
12	Y9
13	XCLK1
14	Y8
15	DGND
16	Y7
17	PCLK
18	Y6
19	Y2
20	Y5
21	Y3
22	Y4
23	Y1
24	Y0



Lens parameter

焦距(EFL)	5mm	像素(Array Size)	640X480
光圈(F.NO)	3.0	镜头类型(Lens Size)	1/4inch
视场角(View Angle)	70°	数字电路电压(DVDD)	1.8±10%v
畸变(Distortion)	<1.0%	模拟电路电压(AVDD)	3.0Vto3.3V
感光芯片(Chip Type)	OV7725 SENSOR	接口电路电压(DOVDD)	1.7Vto3.3V

\* 未注公差为: ±0.1mm

ITEM	PART NAME	DWG NO.	QTY	MATERIAL	REMARK
1					
TITLE: IIDF25 A					SCALE: 1:1
MATERIAL:				TREATMENT:	
UNSPECIFIED TOL:		DRAWN BY: ZSD 11 / 02 / 21		PROJECT NO.:	
XX ± 0.008		CHECK BY: / /		DWG NO.:	
XX ± 0.06		APP BY: / /		CAD NO.:	
X ± 0.1					
Z ± 0.07					
ALL DIMENSION IN MM				REMOVE ALL BURRS	DO NOT SCALE
				BREAK SHARP EDGES	SHEET OF P1/1
					A4