

ELC...

Load cells

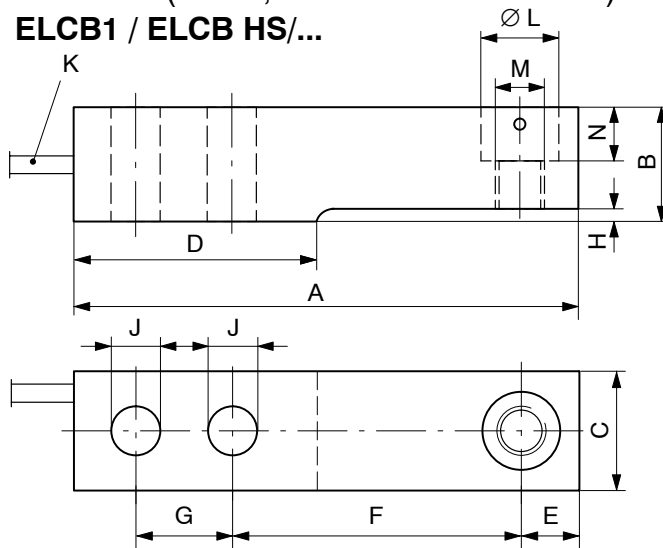
Special features

- Small dimensions
- Maximum capacities:
550 kg ... 1.76 t or 2.2 t + 4.4 t
- Stainless steel
- Meets EMC standards
(EN 45 501)
- Protection class IP 67 (ELCB) or
IP68 (ELCB HS)

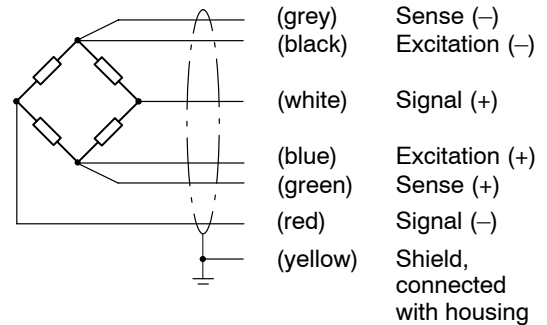


Dimensions (in mm; 1 mm= 0.03937 inches)

ELCB1 / ELCB HS/...



Wiring code (6-wire circuit):



Max. capacity (E_{max})	A	B	C	D	E	F	G	H	J	K	$\varnothing L$	M	N
550 kg; 1.1 t; 1.76 t	133.4	30.2	30.7	57.7	15.4	76.2	25.4	1.7	13	3 m	20.6	M12	14.2
2.2 t	171.5	36.5	36.8	76.2	19.1	95.3	38.1	2.5	20.5	6 m	30.2	M20	17.0
4.4 t	171.5	42.9	42.9	76.2	19.1	95.3	38.1	2.5	20.5	6 m	30.2	M20	20.1

Specifications

Type		ELC B1			ELCB HS	
		550 kg	1.1 t	1.76 t	2.2 t + 4.4 t	
Maximum capacity (E_{max})		550 kg	1.1 t	1.76 t	2.2 t + 4.4 t	
Accuracy class		1 %			1 %	
Sensitivity (C_n)	mV/V	2.0000 ±1 %			2.0000 ±1 %	
Temperature effect on sensitivity (TK_C)	% of C_n / 10 K	±0.4000			±0.4000	
Temperature effect on zero balance (TK_0)		±0.4000			±0.4000	
Hysteresis error (d_{HY})	% of C_n	±0.1000			±0.1000	
Non-linearity (d_{lin})		±0.1000			±0.1000	
Creep (d_{cr}) over 30 min.		±0.1000			±0.1000	
Input resistance (R_{LC})	Ω	> 350			> 350	
Output resistance (R_0)		344 ±2			350 ±2	
Reference excitation voltage (U_{ref})	V	5			5	
Nominal range of excitation voltage (B_U)		5 ... 15			5 ... 15	
Insulation resistance (R_{is})	GΩ	> 5			> 5	
Nominal temperature range (B_T)	°C [°F]	-10 ... +40 [+14 ... +104]			-10 ... +40 [+14 ... +104]	
Service temperature range (B_{tu})		-30 ... +70 [-22 ... +158]			-30 ... +70 [-22 ... +158]	
Storage temperature range (B_{tl})		-50 ... +85 [-58 ... +185]			-50 ... +85 [-58 ... +185]	
Safe load limit (E_L)	% of E_{max}	150			150	
Breaking load (E_d)		300			300	
Lateral load limit (E_{lq})		100			100	
Permissible dynamic load (F_{srel}) (vibration amplitude according to DIN 50100)		70			70	
Deflection at E_{max} (s_{nom}), approx.	mm	0.5			0.5	
Weight (G), approx.	kg	0.9			1.6	2.2
Protection class according to EN60529 (IEC529)		IP67			IP68	
Material:	Measuring element Cable fitting / gland Cable-sheath Application protection (sealing)	stainless steel stainless steel / Neoprene PVC Silicone			stainless steel stainless steel / Neoprene PVC hermetically sealed	

Accessories (see Data sheet HLC... Load cells):

In order to minimize error interferences due to load introduction, HBM offers various proven load introductions for this load cell type, depending on the mounting situation:

HLCB/ZFP/4.4 T	Load introduction swivel foot
HLCB/ZKP/4.4 T	Load introduction swivel foot
HLCB/4.4 T/ZEL	Elastomer bearing
HLCB/ZDP/4.4 T	Elastomer bearing <i>Easy Top</i>
HLC/ZPU/4.4 T	Base plate / Mounting kit

Modifications reserved.
All details describe our products in general form only. They are not to be understood as express warranty and do not constitute any liability whatsoever.

Hottinger Baldwin Messtechnik GmbH

Im Tiefen See 45, D-64293 Darmstadt, Germany
Tel.: +49 6151 8030; Fax: +49 6151 803 9100
E-mail: support@hbm.com www.hbm.com



measurement with confidence