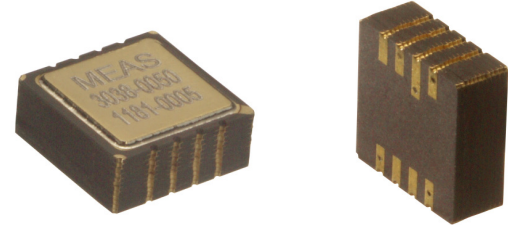


Model 3038 Accelerometer



Miniature Piezoresistive MEMS
SMD Accelerometer
Hermetically Sealed
>10,000g Shock Protection



The **Model 3038** is a hermetically sealed SMD accelerometer designed for high performance applications. The accelerometer incorporates a 3rd generation piezoresistive MEMS sensing element providing outstanding long-term stability. The model 3038 provides a millivolt output signal and features mechanical overload stops that provide shock protection to loads greater than 10,000g.

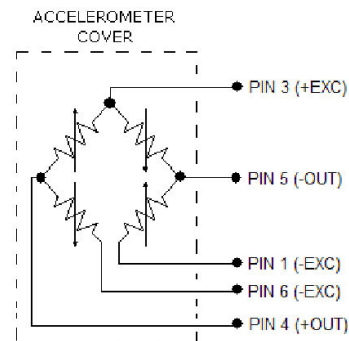
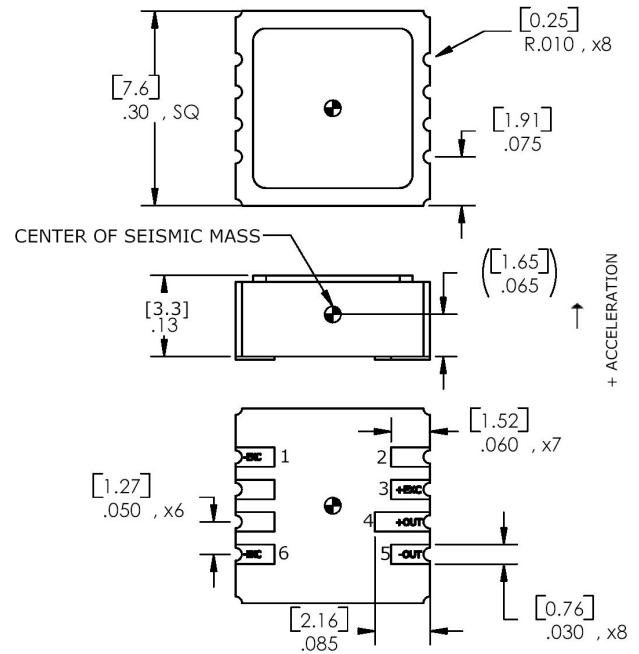
FEATURES

- ±50g to ±6000g Dynamic Ranges
- Board Mountable Accelerometer
- Low Power Consumption
- Hermetic LCC Package
- DC Response, Gas Damping
- 6000Hz Bandwidth

APPLICATIONS

- Harsh Environments
- Vibration & Shock Monitoring
- Impact Testing
- Embedded Applications
- Instrumentation
- Machinery

dimensions



US Patents 5,103,667; 5,253,510; 5,445,006 apply

Model 3038 Accelerometer

performance specifications

All values are typical at +24 °C, 100Hz and 10Vdc excitation unless otherwise stated. Measurement Specialties reserves the right to update and change these specifications without notice.

Parameters

DYNAMIC

	±50	±100	±200	±500	±2000	±6000	Notes
Range (g)	±50	±100	±200	±500	±2000	±6000	
Sensitivity (mV/g)	2.0	1.0	0.6	0.4	0.15	0.08	@10Vdc Excitation
Frequency Response (Hz)	0-1000	0-1500	0-2000	0-4000	0-5000	0-6000	±5%
Natural Frequency (Hz)	4000	6000	8000	15000	24000	26000	
Non-Linearity (%FSO)	±0.5	±0.5	±0.5	±0.5	±1	±2	
Transverse Sensitivity (%)	<3	<3	<3	<3	<3	<3	<1 Typical
Damping Ratio	0.7	0.7	0.7	0.7	0.6	0.5	
Shock Limit (g)	10000	10000	10000	10000	10000	10000	

ELECTRICAL

Zero Acceleration Output (mV)	±25	±25	±25	±25	±25	±25	Differential
Excitation Voltage (Vdc)	2 to 10	2 to 10	2 to 10	2 to 10	2 to 10	2 to 10	
Input Resistance (Ω)	2500-6500	2500-6500	2500-6500	2500-6500	2500-6500	2500-6500	
Output Resistance (Ω)	2500-6500	2500-6500	2500-6500	2500-6500	2500-6500	2500-6500	
Insulation Resistance (MΩ)	>100	>100	>100	>100	>100	>100	@50Vdc
Residual Noise (μV RMS)	10	10	10	10	10	10	Maximum
Ground Isolation	Isolated from Mounting Surface						

ENVIRONMENTAL

Thermal Zero Shift (%FSO/°C)	-0.09	-0.09	-0.09	-0.09	-0.09	-0.09	Typical
Thermal Sensitivity Shift (%/°C)	-0.15	-0.15	-0.15	-0.15	-0.15	-0.15	Typical
Operating Temperature (°C)	-55 to 125						
Compensated Temperature (°C)	Uncompensated						
Storage Temperature (°C)	-55 to 125						

PHYSICAL

Case Material	Ceramic
Cable	Not applicable
Weight (grams)	0.6
Mounting	Solder
Mounting Torque	Not applicable
AWG	Not applicable

Wiring color code: Not applicable

The information in this sheet has been carefully reviewed and is believed to be accurate; however, no responsibility is assumed for inaccuracies. Furthermore, this information does not convey to the purchaser of such devices any license under the patent rights to the manufacturer. Measurement Specialties, Inc. reserves the right to make changes without further notice to any product herein. Measurement Specialties, Inc. makes no warranty, representation or guarantee regarding the suitability of its product for any particular purpose, nor does Measurement Specialties, Inc. assume any liability arising out of the application or use of any product or circuit and specifically disclaims any and all liability, including without limitation consequential or incidental damages. Typical parameters can and do vary in different applications. All operating parameters must be validated for each customer application by customer's technical experts. Measurement Specialties, Inc. does not convey any license under its patent rights nor the rights of others.

ordering info

PART NUMBERING Model Number+Range

3038-GGGG

|
| _____ Range (0100 is 100 g)

Example: 3038-0100
Model 3038, 100g