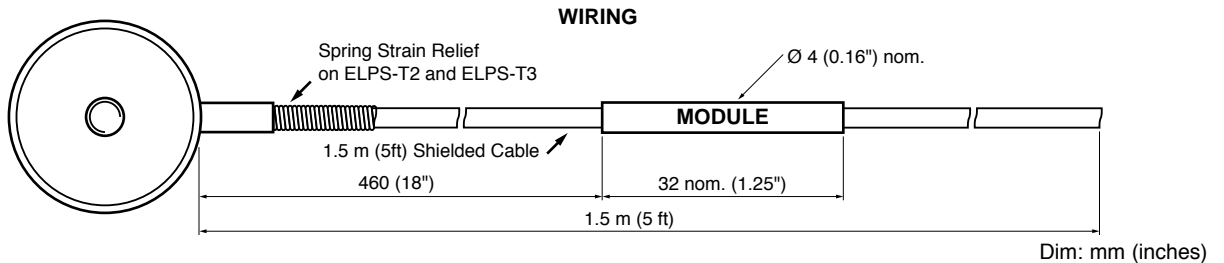
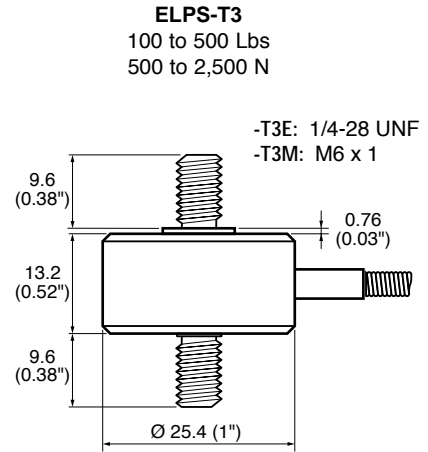
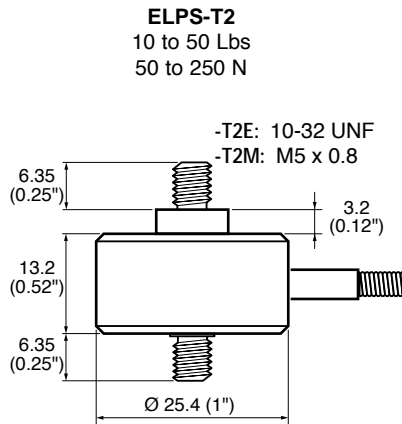
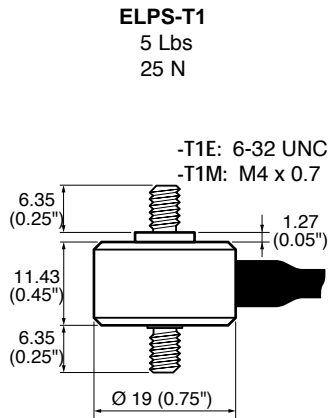


ELPS Series Load Cells



Precision Mini & Compact - Cross Stiff/High Output

ELPS Series Bodies



ELPS Series

BODY TYPE	lb RANGES "FS"	N RANGES "FS"	OVERRANGE LIMIT	EXCITATION VDC	OUTPUT "FSO" nom.
ELPS-T1	±5	±25	1.5x FS	10	±250 mV
ELPS-T2	±10	±50	1.5x FS	10	±250 mV
ELPS-T2	±20	±100	1.5x FS	10	±250 mV
ELPS-T2	±50	±250	1.5x FS	10	±250 mV
ELPS-T3	±100	±500	1.5x FS	10	±250 mV
ELPS-T3	±200	±1000	1.5x FS	10	±250 mV
ELPS-T3	±500	±2500	1.5x FS	10	±250 mV

INPUT IMPEDANCE: 1200 Ω nom.

OUTPUT IMPEDANCE: 500 Ω nom.

SENSING TECHNOLOGY: Semiconductor

CROSS LOAD STIFFENERS: Internal

CROSS LOAD DAMAGE LIMIT: 1.3 x FS

DEFLECTION AT "FS": 0.025 to 0.075mm (0.001 to 0.003") nom.

NON-LINEARITY: ±1/4%FSO (±1/2%FSO for Ranges above 200lbs & 1000N)

HYSTERESIS: ±1/4%FSO (±1/2%FSO for Ranges above 200lbs & 1000N)

THERMAL ZERO SHIFT: ±1%FSO/50°C (±1%FSO/100°F)

THERMAL SENSITIVITY SHIFT (TSS): ±2.5%/50°C (±2.5%/100°F)

OPERATING TEMPERATURE: -40°C to 120°C (-40°F to 250°F)

COMPENSATED TEMPERATURE: 20°C to 80°C (70°F to 170°F)

ZERO OFFSET AT 20°C (70°F): ±15mV typ.

MODE: +Signal Output for Tension

CALIBRATION: Tension (Optional Compression Calibration available)

BODY MATERIAL: Stainless Steel

ENVIRONMENTAL: Body: Waterproof Seal Lead Exit: Splashproof

Entran®



www.entran.com

ELPS LOAD CELLS
Precision Miniature & Compact
High Output - Cross Stiff

Entran Sensors & Electronics

USA: Fairfield, NJ
UK: Garston, Watford, Herts, England
Europe: Les Clayes-sous-Bois, France

SPECIFICATION	ISSUE	PAGE
ELPSS001U	PB1	1 of 2

ELPS specifications continued ...

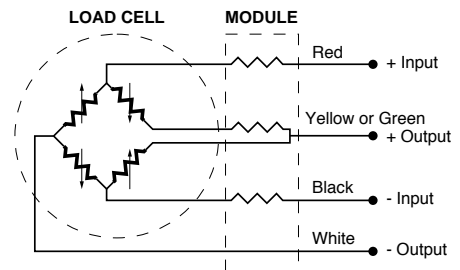
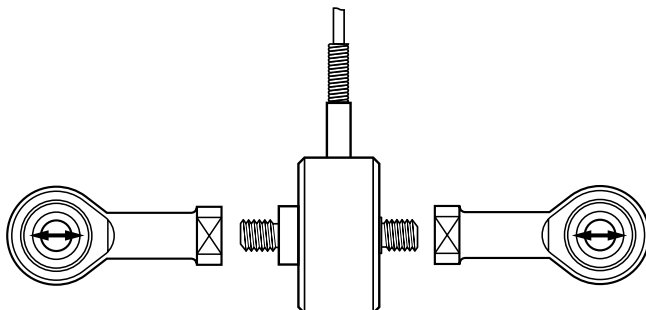
Options and Accessories:

COMPENSATED TEMPERATURE RANGES:	STANDARD	= 20°C to 80°C (70°F to 170°F)
	Z1	= -20°C to 40°C (0°F to 100°F)
	Z2	= 0°C to 60°C (32°F to 140°F)
	Z4	= 40°C to 90°C (100°F to 200°F)
	Z*	= Non-standard, contact Entran
5 WIRE BRIDGE WIRING FOR ADJUSTABLE ZERO OFFSET:	5	= 5 Wire
EXCITATION VOLTAGE:	STANDARD	= 10VDC
	V00	= Replace "00" with Excitation between 1 and 15. If less than 10, Sensitivity (FSO) will decrease accordingly.
	V*	= Non-standard Excitation with standard FSO and non-standard TSS, contact Entran
SPECIAL CABLE LENGTH:	L00F	= Replace "00" with total length in feet.
	L00M	= Replace "00" with total length in meters.
SPECIAL MODULE LOCATION:	M00F	= Replace "00" with distance between sensor and module in feet.
	M00M	= Replace "00" with distance between sensor and module in meters.
WATERPROOFING CABLE EXIT:	X	= Short term waterproofing. Limited to 105°C (220°F).
CONNECTOR WIRED TO CABLE:	C	= Microtech type male (w/o mate)
	RS	= RJ Telephone type male (w/o mate)
	RQ	= Pins to mate with MM50 screw terminals
MATING CONNECTORS FOR CONNECTOR OPTIONS:	See Cable and Connector Bulletin	
CALIBRATION:	STANDARD	Tension
	Available	Tension & Compression calibration Compression calibration

Model Number construction:

<u>ELPS</u> Series	-	<u>T1</u> Body	<u>M</u> Threads	-	<u>25</u> Range	<u>N</u> Units	-	<u>/L2M/RS</u> Options
		T1 T2 T3	E = English M = Metric		(K used for 1000 Ex.: 1K)	N=Newtons L=Pounds		C, RS or RQ L00F or L00M M00F or M00M V1 to V10 or V* X Z1, Z2, Z4 or Z* 5

Mounting & Wiring:



Entran®

ELPS LOAD CELLS

SPECIFICATION

ISSUE

PAGE

ELPSS001U

PB1

2 of 2