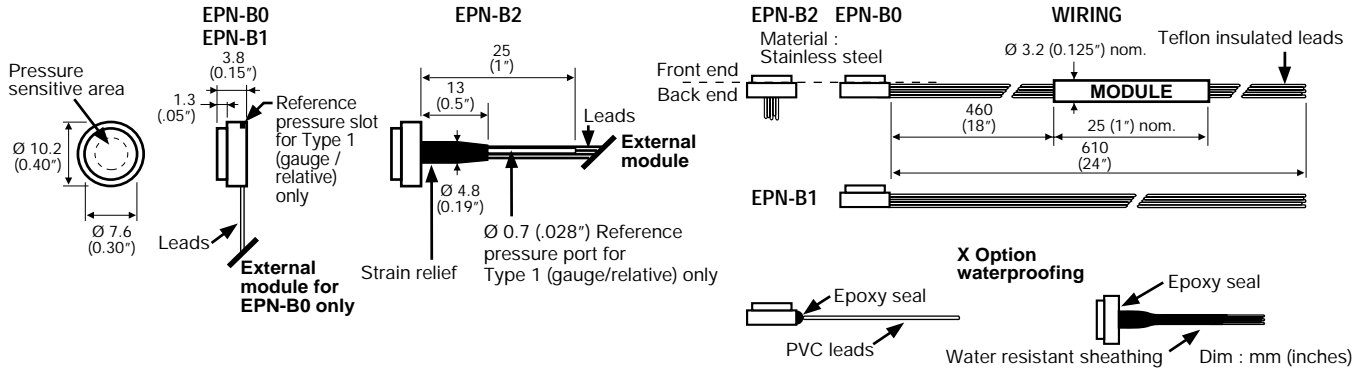


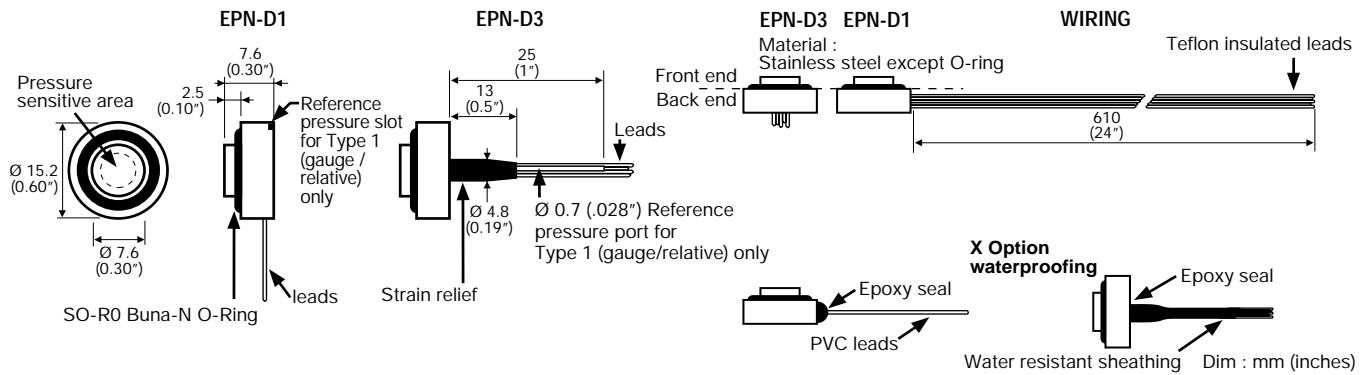
Specifications



EPN-B0, EPN-B1 and EPN-B2



EPN-D1 and EPN-D3



EPN Series

PSI RANGES "FS" (Note 1)	BAR RANGES "FS" (Note 1)	PRESSURE LIMIT	RESONANT FREQUENCY nom. (Note 2)	OUTPUT "FSO" nom.	CNL&H (%FSO)	THERMAL ZERO SHIFT /50°C (/100°F)	G SENS. (%FSO/g)
5	0.35	10 XFS	15 KHz	70 mV	± 0.5 %	±2%FSO	0.026
15	1	3.5 XFS	15 KHz	210 mV	± 0.5 %	±2%FSO	0.009
25	1.5	2 XFS	15 KHz	350 mV	± 0.5 %	±1%FSO	0.005
50	3.5	2 XFS	20 KHz	350 mV	± 0.25%	±1%FSO	0.003
100	7	2 XFS	30 KHz	350 mV	± 0.25%	±1%FSO	0.002
250	15	2 XFS	45 KHz	350 mV	± 0.25%	±1%FSO	0.0013
500	35	2 XFS	65 KHz	350 mV	± 0.25%	±1%FSO	0.0009
1000	70	2 XFS	95 KHz	350 mV	± 0.25%	±1%FSO	0.0007
2500	150	2 XFS	140 KHz	350 mV	± 0.25%	±1%FSO	0.0003
3500	250	2 XFS	160 KHz	350 mV	± 0.25%	±1%FSO	0.0003
5000	350	1.5 XFS	200 KHz	350 mV	± 0.25%	±1%FSO	0.0002

Notes: ¹ Vented (gauge/relative), Sealed or Absolute Pressure References 1, 2 or 3. Temperatures expressed in °F for PSI Ranges and °C for BAR Ranges. ² Useful frequency is 20% of Resonant Frequency.

EXCITATION: 15VDC
IMPEDANCE IN: 1000Ω nom. typ.
IMPEDANCE OUT: 500Ω nom.
NON-REPEATABILITY: ± ¼ % FSO
THERMAL SENSITIVITY SHIFT (TSS): ±2%/50°C (±2%/100°F)
OPERATING TEMPERATURE: -40°C to 120°C (-40°F to 250°F)
COMPENSATED TEMPERATURE: 20°C to 80°C (70°F to 170°F) Option Z2: 0°C to 60°C (32°F to 140°F)
ZERO OFFSET AT 21°C (70°F): ±10 mV typ.
PRESSURE REFERENCES:
 1 = Vented (gauge/relative)
 2 = Sealed at 1 atmosphere
 3 = Absolute (Zero offset to 0 pressure absolute)

Entran®



TITLE
EPN PRESSURE SENSORS
Low Profile
Stainless Steel Diaphragm

Entran Devices, Inc.
 FAIRFIELD, NJ, USA

SPECIFICATION NUMBER ISSUE PAGE

EPNS0001U PA1 1 of 2

Options and Accessories:

COMPENSATED TEMPERATURE RANGES:

STANDARD	=	20°C to 80°C (70°F to 170°F)
Z0	=	-40°C to 20°C (-40°F to 70°F)
Z1	=	-20°C to 40°C (0°F to 100°F)
Z2	=	0°C to 60°C (32°F to 140°F)
Z4	=	40°C to 90°C (100°F to 200°F)
Z*	=	Non-standard, contact Entran

5 WIRE BRIDGE WIRING FOR ADJUSTABLE ZERO OFFSET:

5	=	5 Wire
---	---	--------

EXCITATION VOLTAGE:

STANDARD	=	15VDC
V00	=	Replace "00" with Excitation between 1 and 15. If less than 15, Sensitivity (FSO) will decrease accordingly.
V*	=	Non-standard Excitation with standard FSO and non-standard TSS, contact Entran.

SPECIAL LEAD LENGTH:

L00F	=	Replace "00" with total length in feet.
L00M	=	Replace "00" with total length in meters.

SPECIAL MODULE LOCATION FOR EPN-B0 AND EPN-B2 ONLY:

M00F	=	Replace "00" with distance between sensor and module in feet.
M00M	=	Replace "00" with distance between sensor and module in meters.

WATERPROOFING LEAD EXIT FOR PRESSURE REFERENCE TYPES 2 & 3 ON ALL MODELS AND TYPE 1 ON B2, B3 AND D3:

X	=	Short term waterproofing. Limited to 105°C (220°F) on EPN-B0, EPN-B1 and EPN-D1.
---	---	--

CONNECTOR WIRED TO LEADS:

C	=	Microtech type male (w/o mate)
R	=	RJ Telephone type male (w/o mate)

MATING CONNECTORS FOR CONNECTOR OPTIONS: See Cable and Connector Bulletins

EXTRA O-RINGS FOR EPN-D:

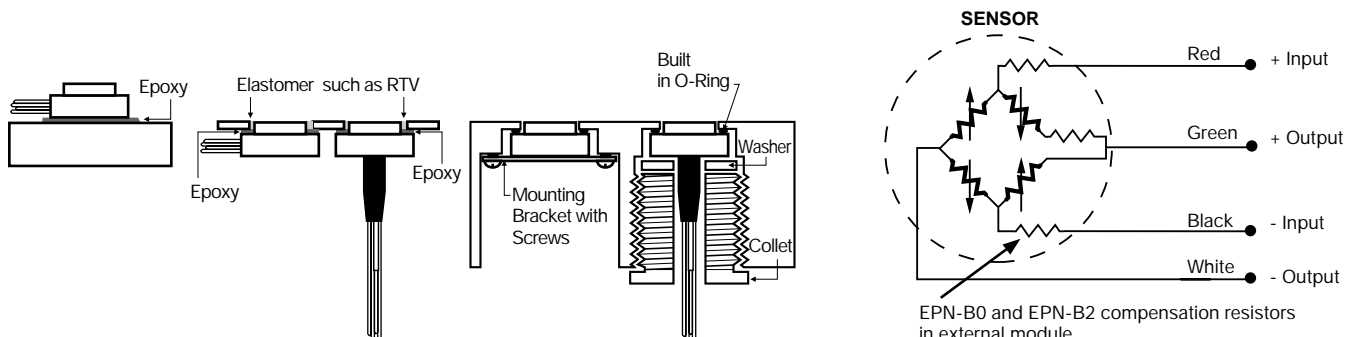
SO-R0 = BUNA-N	SO-R2 = Viton	SO-R3 = Teflon
----------------	---------------	----------------

3/8" NPT THREADED ADAPTER FOR EPN-D31:

Model PFEPN-X1 (see EP ACCESSORIES)

EPN Series	-	B0 Body	-	1 Reference	-	Z Range	-	B Units	-	/R/L3M/Z2 Options
		B0 D1		1		(K used for 1000 Ex: 1K)		B = BAR P = PSI		C or R L00F or L00M M00F or M00M V1 thru V15 V* X Z0, Z1, Z2, Z4 or Z* 5

Installation:



Entran®

EPN PRESSURE SENSORS

SPECIFICATION NUMBER

EPNS0001U

ISSUE

P00

PAGE

2 of 2