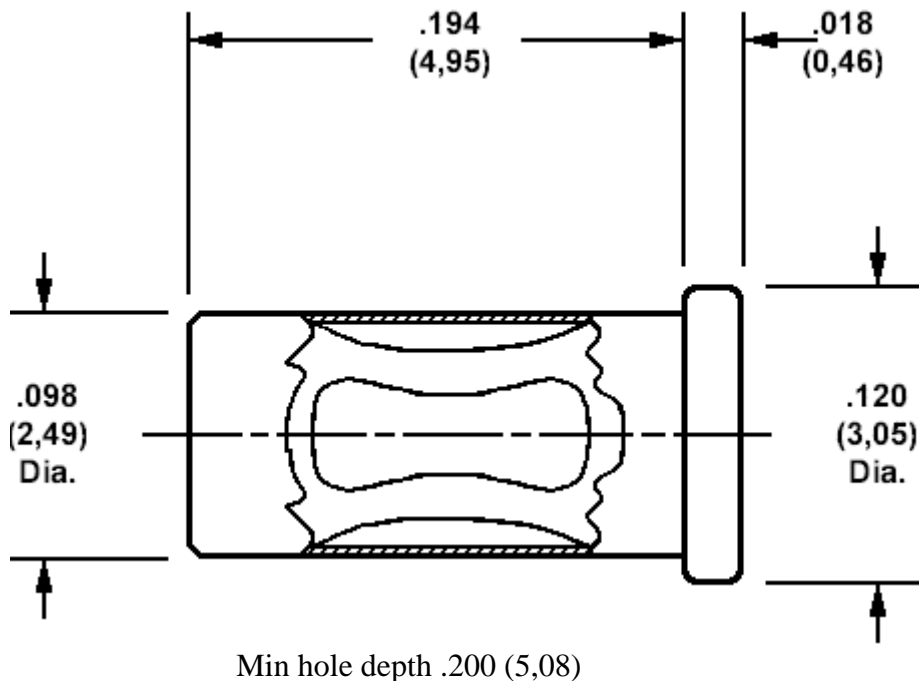


A 端子

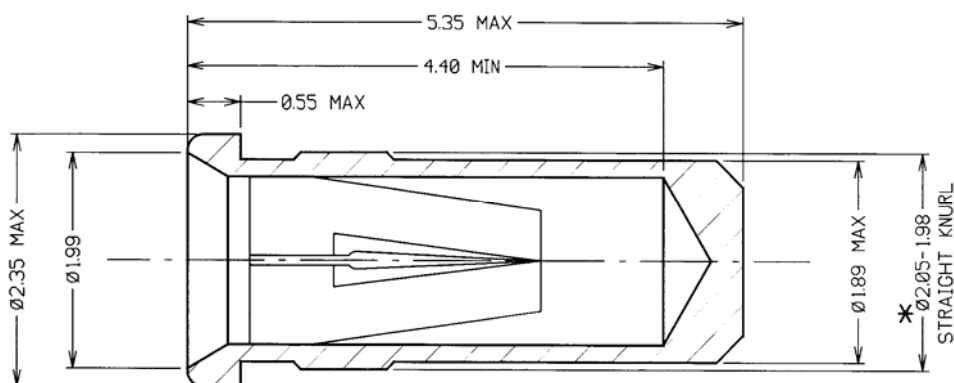
450-3326 Solder mount socket, for .059 (1,52) to .062 (1,57) diameter pins

Recommended mounting hole .102 (2,59) ± .002 (0,05), #38 drill



MATERIALS				
Component	Material	Finish(-03)	Finish(-04)	Finish(-06)
Body	Brass	Gold over Nickel	Tin	Tin
Spring	Beryllium copper	Gold over Nickel	Tin	Gold over Nickel

B 端子



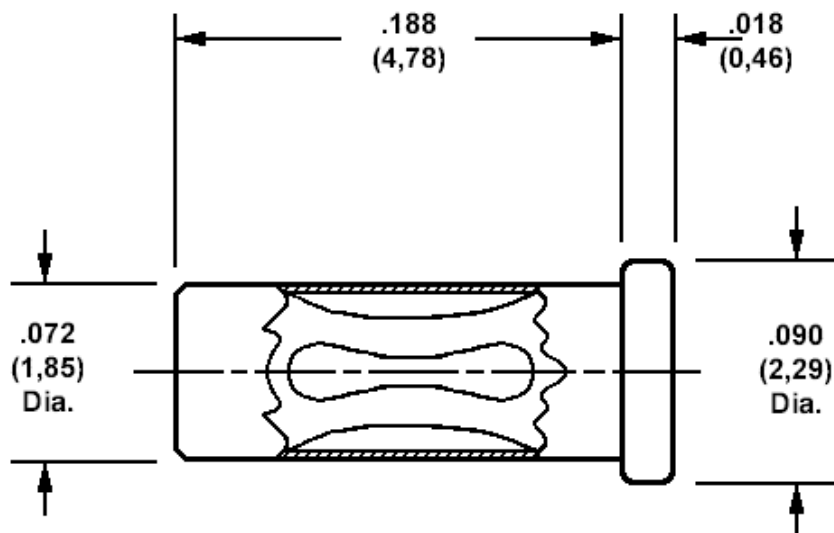
NOTES:

1. MAXIMUM CONTACT DEPTH = 3.90mm.
2. MAXIMUM PIN LENGTH = 4.50mm.
3. RECOMMENDED MOUNTING HOLE SIZE = 1.96-1.91mm.
4. RECOMMENDED PIN SIZE = 1.05-0.90mm.

D 端子

450-3704 Solder mount socket, for .040 (1,02) diameter pins

Recommended mounting hole .076 (1,93) + .002 (0,05) - .001 (0,03), #48 drill



Min hole depth .190 (4,85)

MATERIALS				
Component	Material	Finish(-03)	Finish(-04)	Finish(-06)
Body	Copper	Gold over Nickel	Tin	Tin
Spring	Beryllium copper	Gold over Nickel	Tin	Gold over Nickel