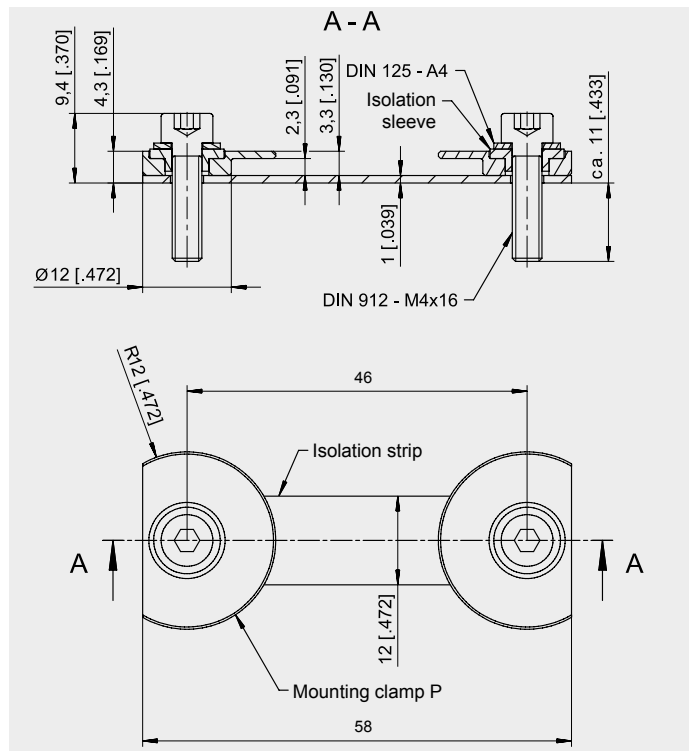
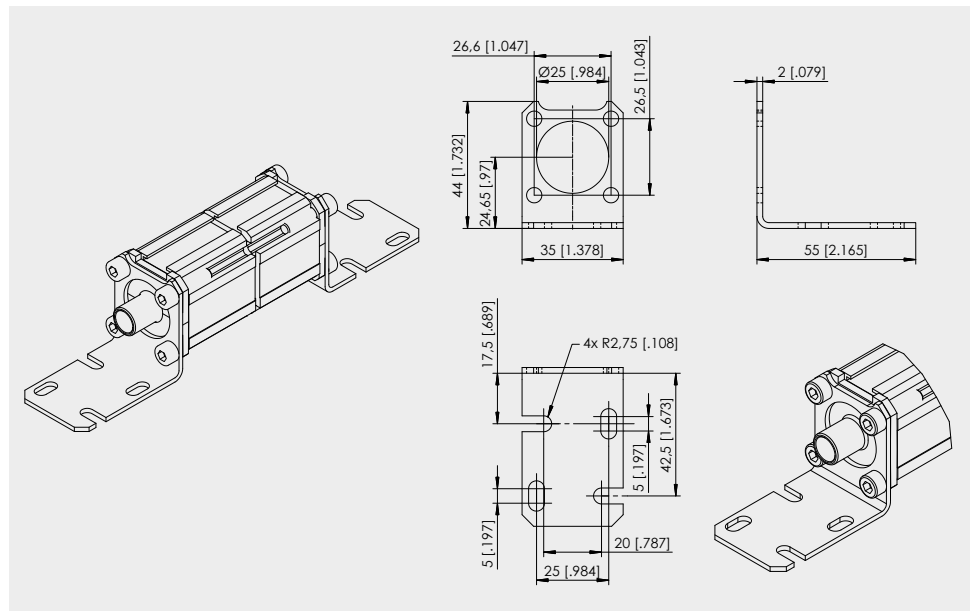


**Mounting set  
PCQA-BFS1 with  
mounting clamps**



**Option -BFW  
Mounting brackets  
for PCQA22 and  
PCQA24**

Note: The option -BFW can only be ordered with a new sensor, not separately!  
Applicable for sensor lengths up to 1000 mm.



Dimensions in mm [inch]

Dimensions informative only.  
For guaranteed dimensions consult factory.

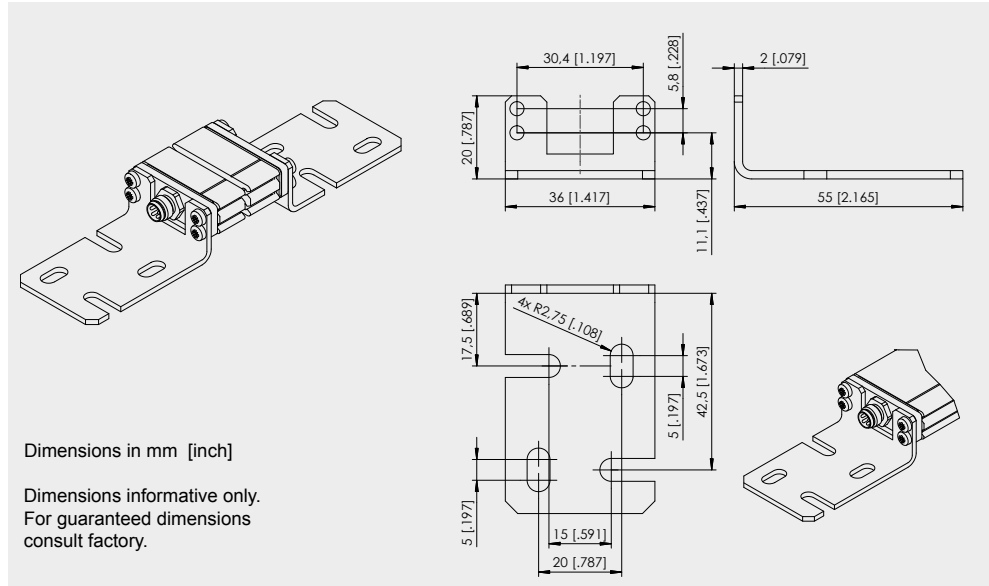
**Order example: PCQA24 - 1000 - U2 - P1A - L10 - M12 - BFW**

**PCFP24**

**Flat Profile Housing**

**Option -BFW**  
Mounting brackets for  
PCFP23

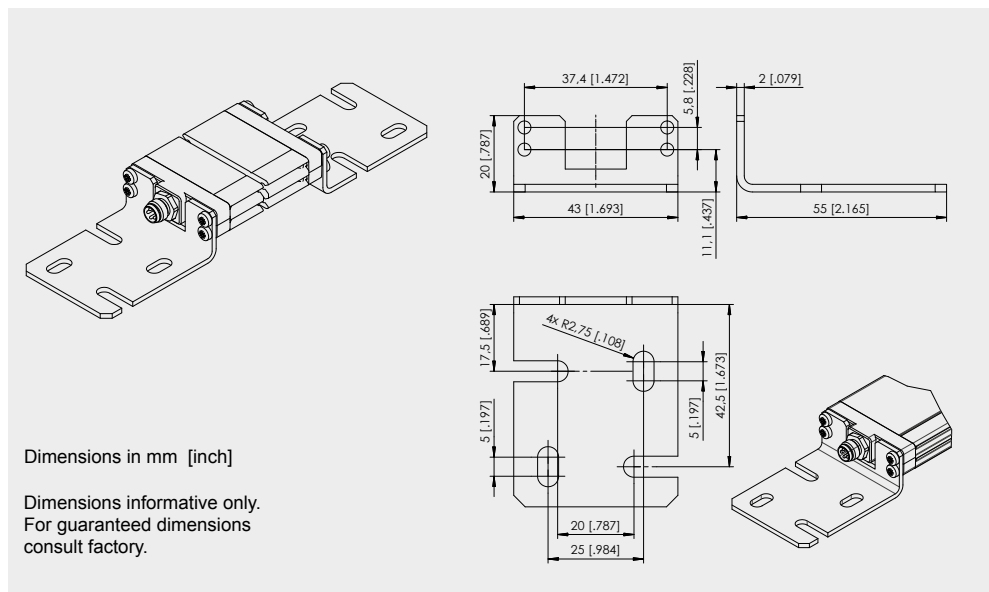
**Note:** The option -BFW can only be ordered with a new sensor, not separately!  
Applicable for sensor lengths up to 1000 mm. Not combinable with PCFP23-BFS1.



**Order example: PCFP23 - 1000 - STSP - L02 - M8 - BFW**

**Option -BFW**  
Mounting brackets for  
PCFP24

**Note:** The option -BFW can only be ordered with a new sensor, not separately!  
Applicable for sensor lengths up to 1000 mm. Not combinable with PCFP24-BFS1.



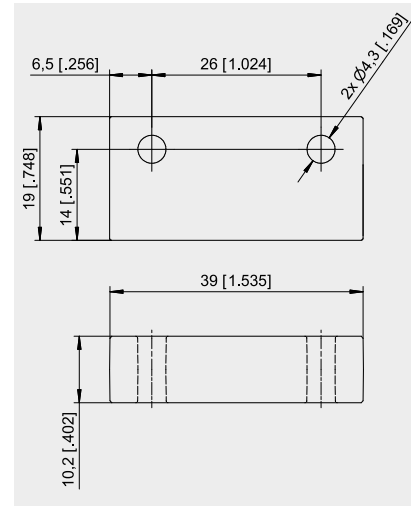
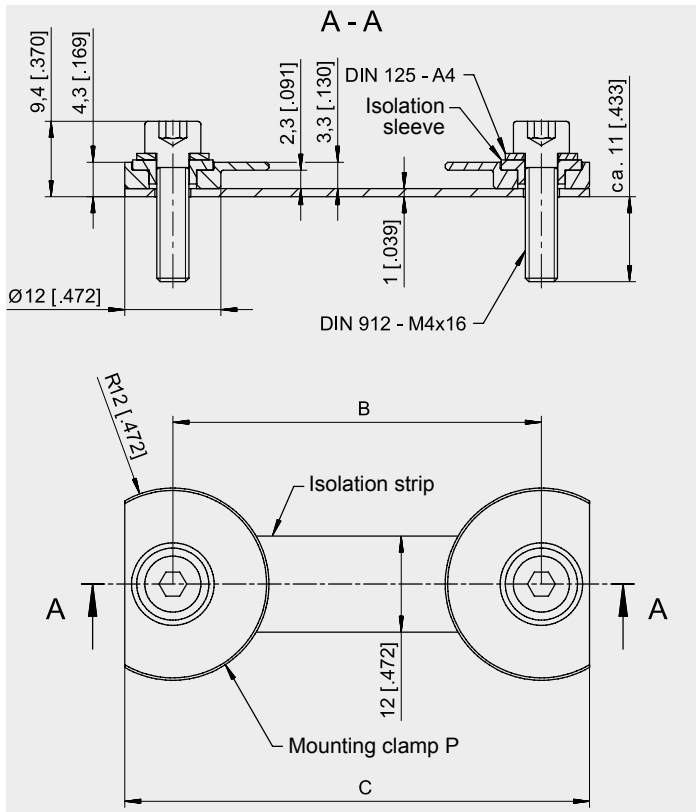
**Order example: PCFP24 - 1000 - STSP - L02 - M8 - BFW**

**PCFP**

**Mounting Sets - Magnets**

**PCFP23-BFS1 and PCFP24-BFS1**  
Mounting set for PCFP23, PCFP24

**PCMAG5**  
Standard magnet

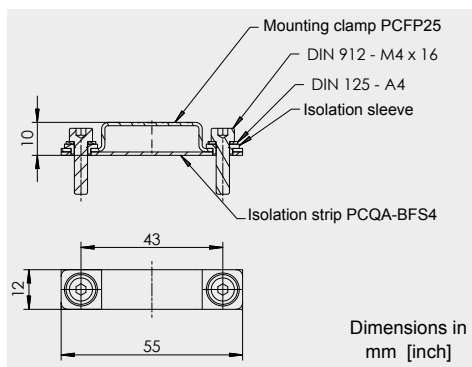


Dimensions in mm [inch]

Dimensions informative only.  
For guaranteed dimensions consult factory.

Dimensions BFS1	POSICHRON Model	Dim. B [mm]	Dim. C [mm]
	PCFP23		52
PCFP24		59	71

**PCFP25-BFS1**  
Mounting set for  
PCFP25

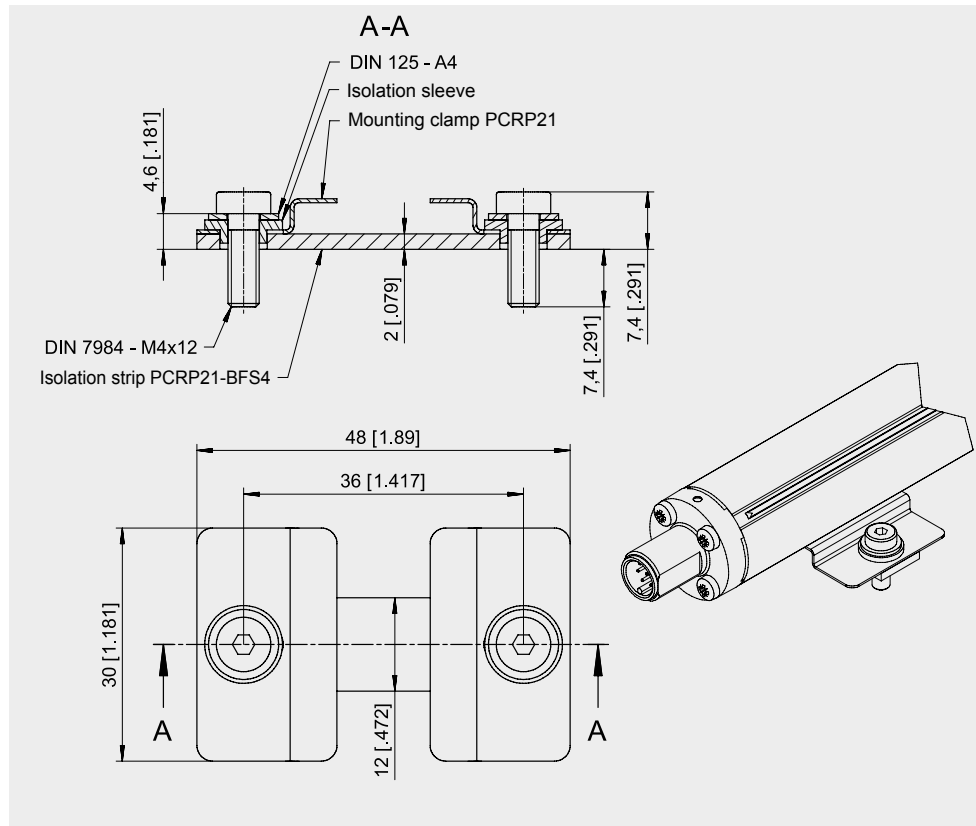


Dimensions in mm [inch]

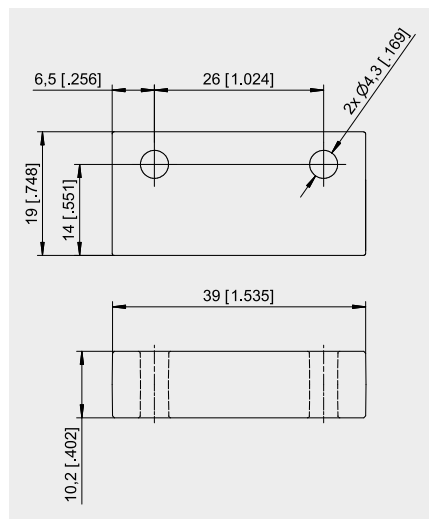
**PCRP**

**Mounting set - Magnets**

**PCRP21-BFS4**  
Mounting set for  
PCRP21



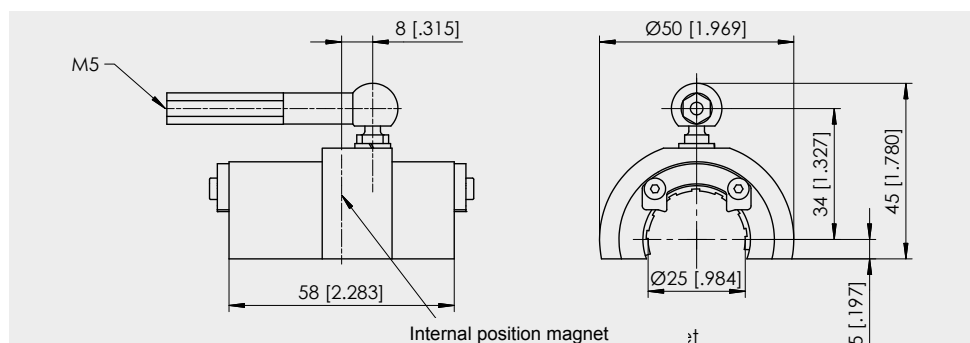
**PCMAG5**  
Standard magnet



Dimensions in mm [inch]

Dimensions informative only.  
For guaranteed dimensions consult factory.

**PCRPMAG6**  
Guided magnet slider  
for PCR21 with internal  
position magnet



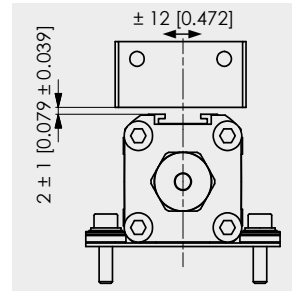
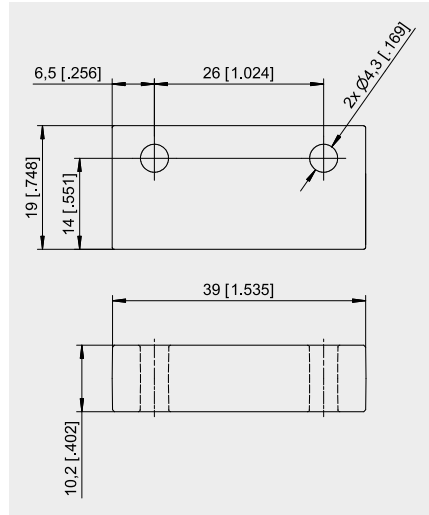
Not to be used for a large number of operation cycles!

**PCQA**

Mounting Sets - Magnets

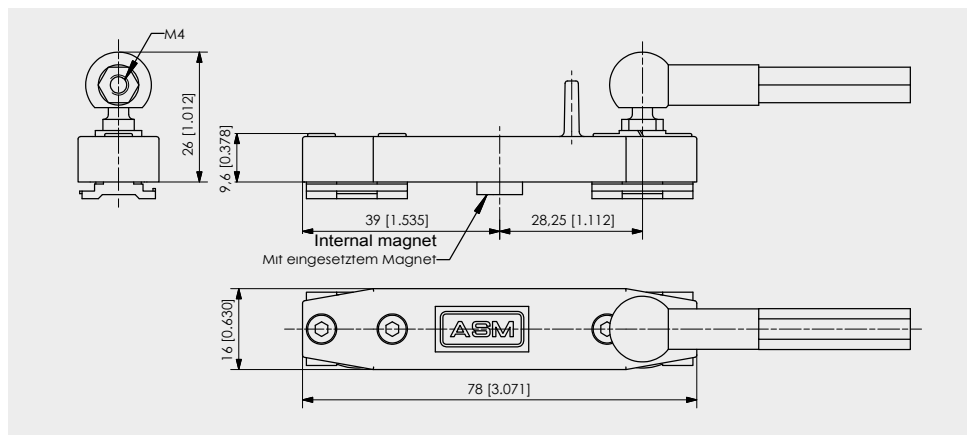
**PCMAG5**

Standard magnet



**PCMAG3**

Guided magnet slider with internal position magnet



Dimensions in mm [inch]

Dimensions informative only.  
For guaranteed dimensions consult factory.

**PCST**

**O-ring sealing**

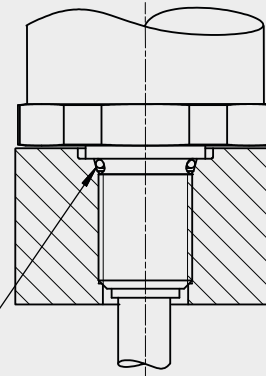
**O-ring sealing (M18)**

**for:**  
 PCST24-M18...  
 PCST25-M18...  
 PCST27-M18...

Dimensions in mm [inch]

Dimensions informative only.  
 For guaranteed dimensions  
 consult factory.

O-Ring 15,3 x 2,2  
 [.602 x .087]



**Order code O-ring M18**

**PCST-OR-M18**

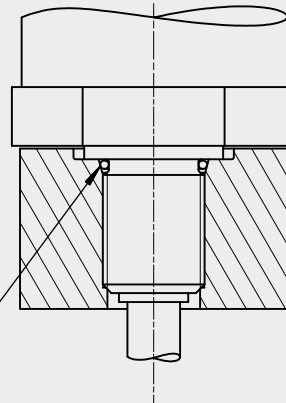
**O-ring sealing (3/4 Zoll)**

**for:**  
 PCST24-Z3/4...  
 PCST25-Z3/4...  
 PCST27-Z3/4...

Dimensions in mm [inch]

Dimensions informative only.  
 For guaranteed dimensions  
 consult factory.

O-Ring 16,36 x 2,2  
 [.644 x .087]



**Order code O-ring 3/4 inch**

**PCST-OR-Z3/4**

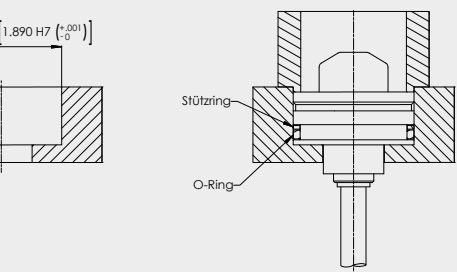
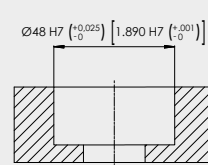
**O-ring sealing (Plug-in version)**

**for:**  
 PCST25-SV...

Dimensions in mm [inch]

Dimensions informative only.  
 For guaranteed dimensions  
 consult factory.

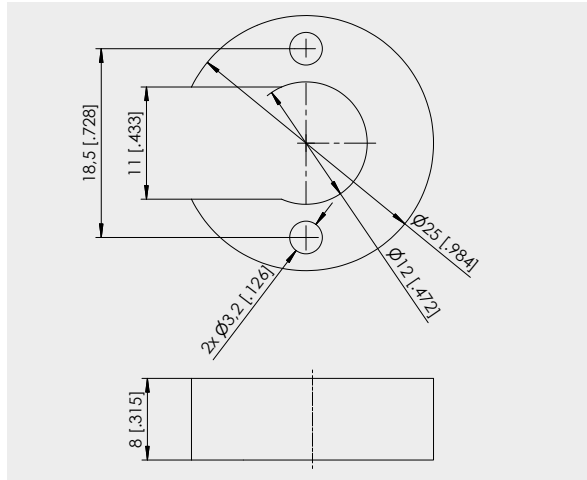
Example  
 Ø48 H7 (+0,025 / -0) [1,890 H7 (+0,001 / -0)]  
 M5  
 Beispiel



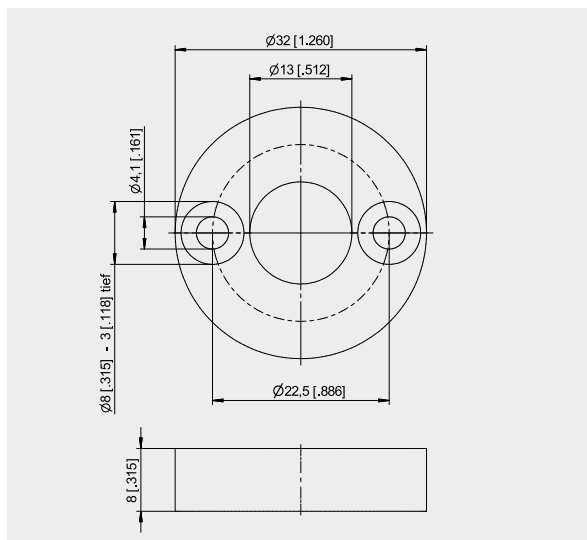
**Order code O-ring Plug-in version**

**PCST-OR-SV**

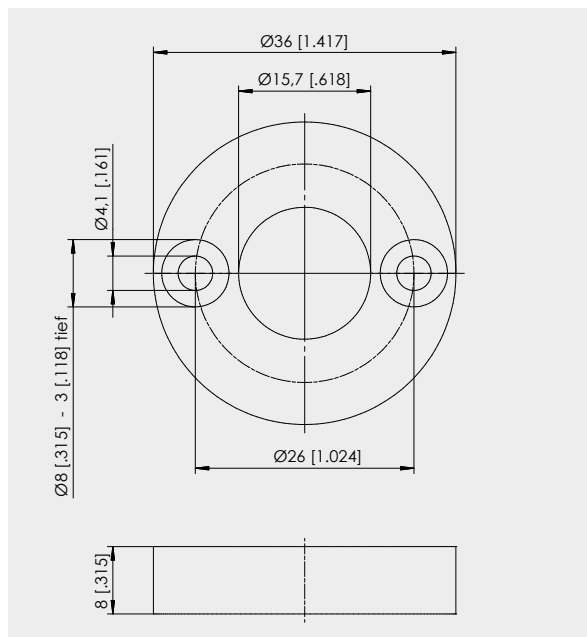
**PCSTMAG1**



**PCSTMAG2**  
(standard)



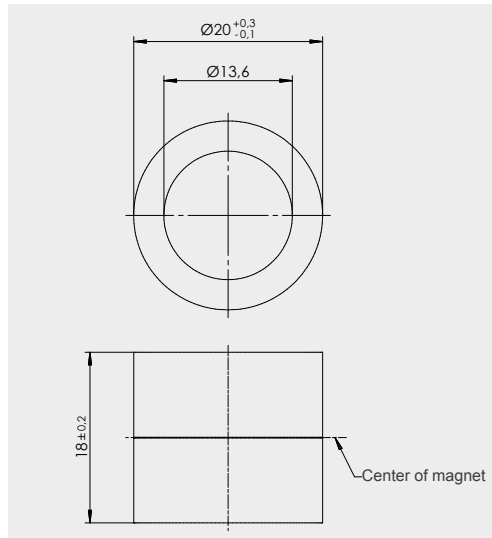
**PCSTMAG5**



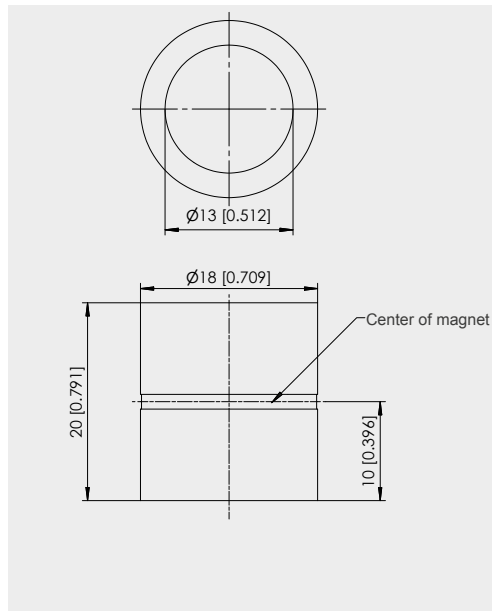
Dimensions in mm [inch]

Dimensions informative only.  
For guaranteed dimensions  
consult factory.  
Other designs can be realized  
on request.

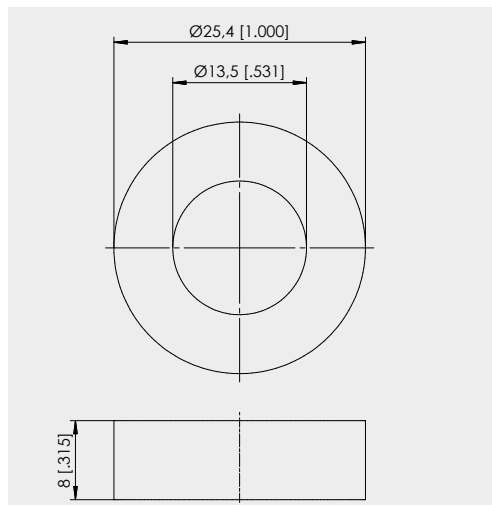
PCSTMAG2-MH1



PCSTMAG2-MH2



PCSTMAG2-MH3

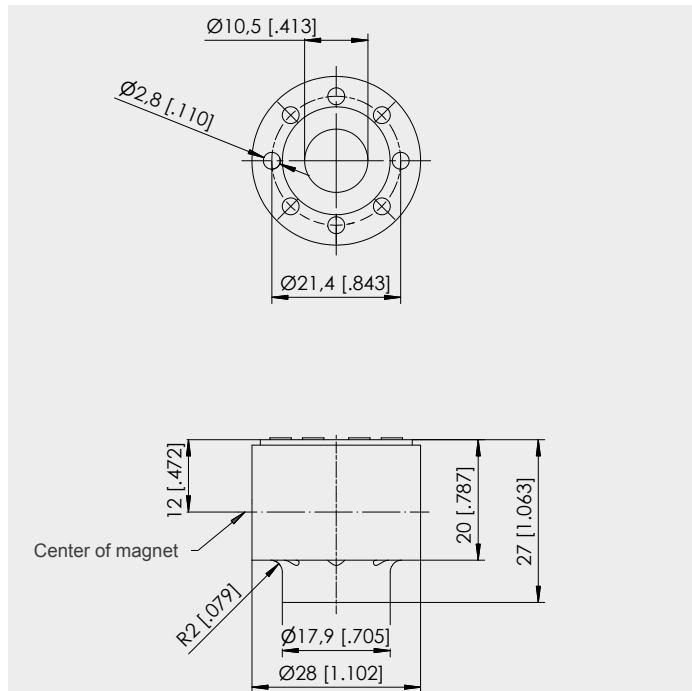


Dimensions in mm [inch]

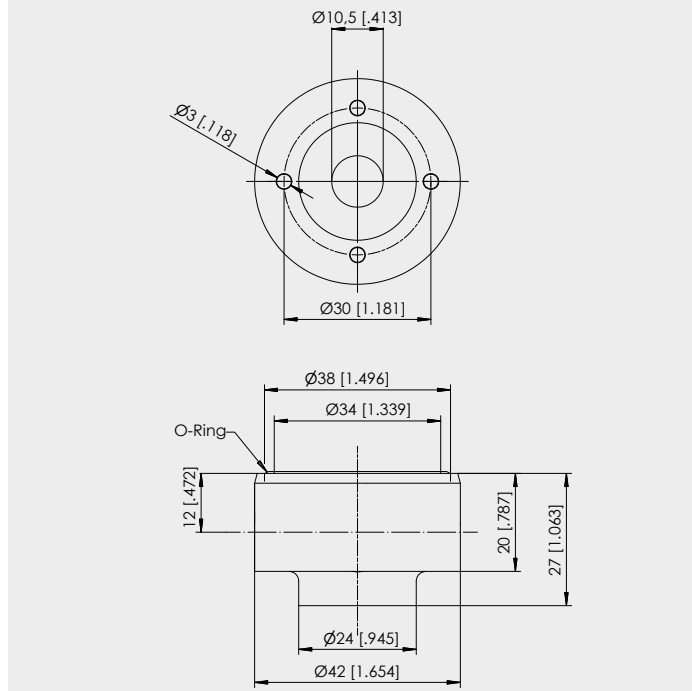
Dimensions informative only.  
For guaranteed dimensions consult factory.  
Other designs can be realized on request



**PCSTMAG2-G1**



**PCSTMAG2-G2**



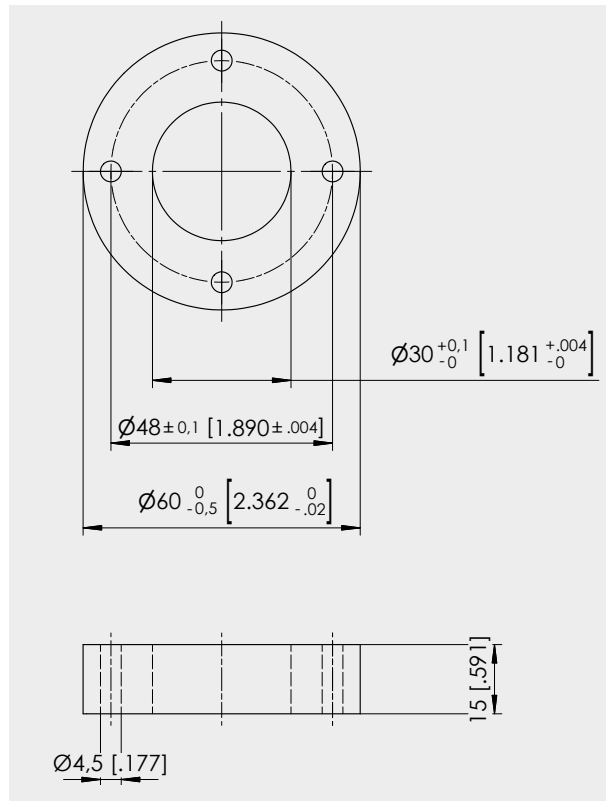
**PCSTMAG2 - G1 / G2**

Sliding magnet with special self-lubricating and abrasion-resistant material. To be used if sensor is mounted in horizontal position and a mechanical support of the rod is not possible for measurement ranges >1000 mm.

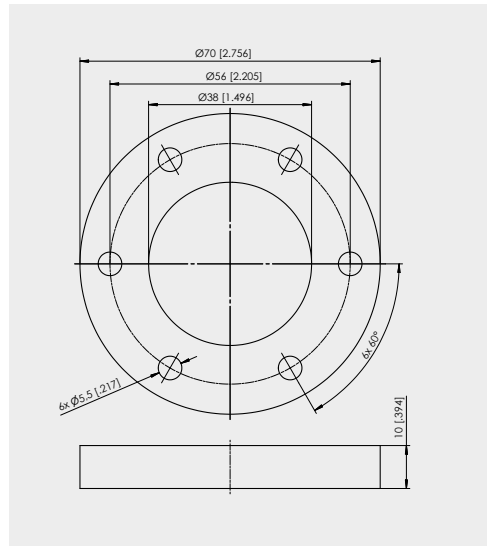
Dimensions in mm [inch]

Dimensions informative only.  
For guaranteed dimensions consult factory.  
Other designs can be realized on request

**PCSTMAG7**



**PCSTMAG4**



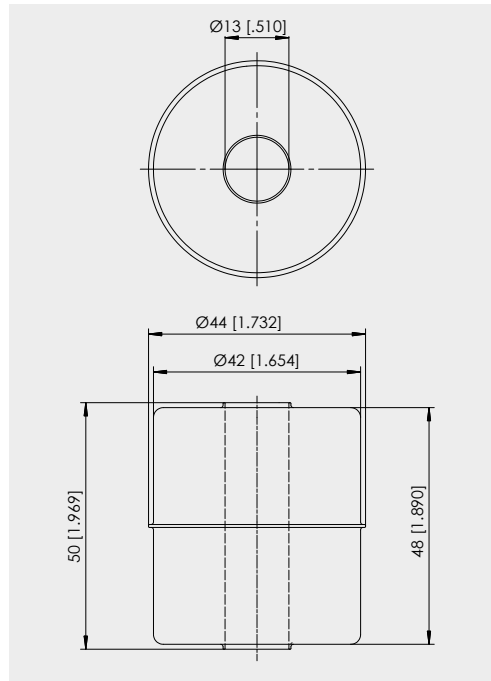
Dimensions in mm [inch]

Dimensions informative only.  
For guaranteed dimensions consult factory.  
Other designs can be realized on request

**PCSTMAG3**

(float, continuous pressure up to 9 bar, for media with a specific gravity of  $\geq 0,75 \text{ g/cm}^3$ )

Material: 1.4404

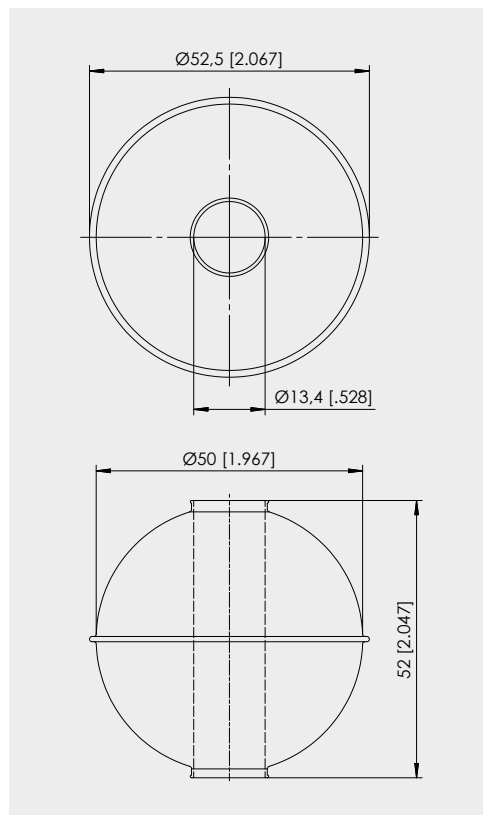


Note: Dependent on the design the available measurement range is reduced of 25 mm on both ends!

**PCSTMAG6**

(float, continuous pressure up to 30 bar, for media with a specific gravity of  $\geq 0,7 \text{ g/cm}^3$ )

Material: 1.4571



Note: Dependent on the design the available measurement range is reduced of 25 mm on both ends!

Dimensions in mm [inch]

Dimensions informative only.  
For guaranteed dimensions consult factory.  
Other designs can be realized on request

**Accessories**  
**Connector Cables**

**Connector cable**  
**M12, 5-pin**  
shielded

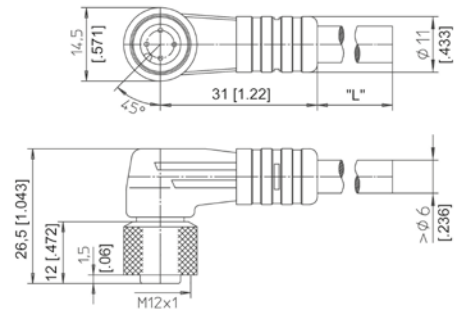
The 5-lead shielded cable is supplied with a mating 5-pin 90° M12 connector at one end and 5 wires at the other end. Available lengths are 2 m, 5 m and 10 m. Wire: cross sectional area 0.34 mm<sup>2</sup>.

Order code:

**KAB - XM - M12/5F/W - LITZE**

**IP69K: KAB - XM - M12/5F/W/69K - LITZE**

Length in m



**Connector cable**  
**M12, 5-pin**  
shielded

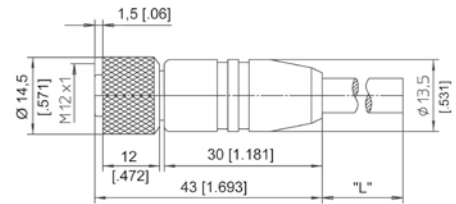
The 5-lead shielded cable is supplied with a mating 5-pin M12 connector at one end and 5 wires at the other end. Available lengths are 2 m, 5 m and 10 m. Wire: cross sectional area 0.34 mm<sup>2</sup>.

Order code:

**KAB - XM - M12/5F/G - LITZE**

**IP69K: KAB - XM - M12/5F/G/69K - LITZE**

Length in m



Signal wiring M12, 5-pin	Plug connection / Cable connection				
	1	2	3	4	5
	brown	white	blue	black	grey

**Connector cable**  
**M12, 8-pin**  
shielded

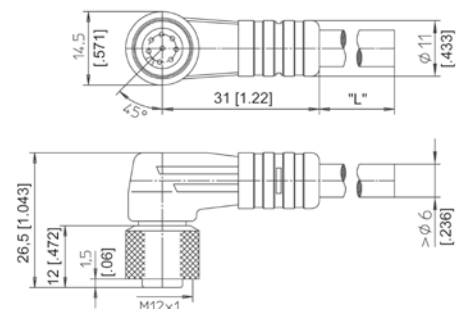
The 8-lead shielded cable is supplied with a mating 8-pin 90° M12 connector at one end and 8 wires at the other end. Available lengths are 2, 5 and 10 m. Wire: cross sectional area 0.25 mm<sup>2</sup>.

Order code:

**KAB - XM - M12/8F/W - LITZE**

**IP69K: KAB - XM - M12/8F/W/69K - LITZE**

Length in m



**Connector cable**  
**M12, 8-pin**  
shielded

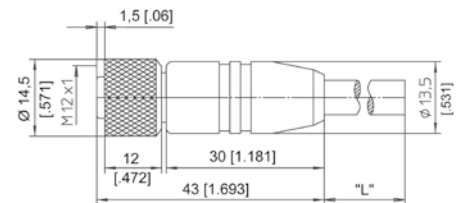
The 8-lead shielded cable is supplied with a mating 8-pin M12 connector at one end and 8 wires at the other end. Available lengths are 2, 5 and 10 m. Wire: cross sectional area 0.25 mm<sup>2</sup>.

Order code:

**KAB - XM - M12/8F/G - LITZE**

**IP69K: KAB - XM - M12/8F/G/69K - LITZE**

Length in m



Signal wiring M12, 8-pin	Plug connection / Cable connection							
	1	2	3	4	5	6	7	8
	white	brown	green	yellow	grey	pink	blue	red

**Accessories**  
**Connector Cables**

**Connector cable**  
**M8, 4-pin**  
shielded

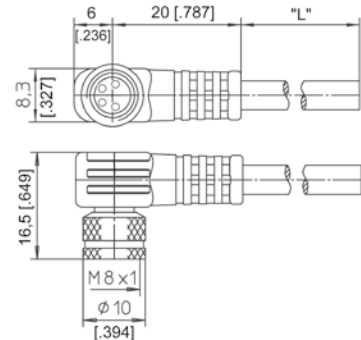
The 4-lead shielded cable is supplied with a mating 4-pin 90° M8 connector at one end and 4 wires at the other end. Available lengths are 2, 5 and 10 m. Wire: cross sectional area 0.14 mm<sup>2</sup>.

Order code:

**KAB - XM - M8/4F/W - LITZE**

**IP69K: KAB - XM - M8/4F/W/69K - LITZE**

Length in m



**Connector cable**  
**M8, 4-pin**  
shielded

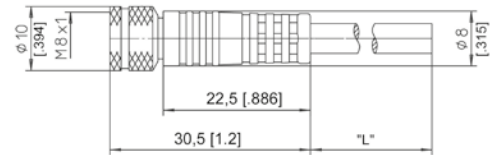
The 4-lead shielded cable is supplied with a mating 4-pin M8 connector at one end and 4 wires at the other end. Available lengths are 2, 5 and 10 m. Wire: cross sectional area 0.14 mm<sup>2</sup>.

Order code:

**KAB - XM - M8/4F/G - LITZE**

**IP69K: KAB - XM - M8/4F/G/69K - LITZE**

Length in m



Signal wiring M8, 4-pin	Plug connection / Cable connection			
	1	2	3	4
	brown	white	blue	black

**Connector/bus cable**  
**M12, 5-pin**  
**CAN bus**  
shielded

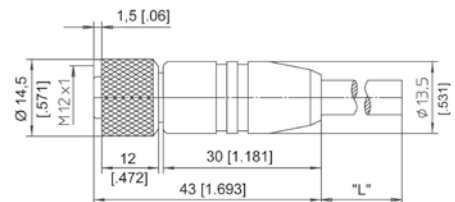
The 5-lead shielded cable is supplied with a female 5-pin M12 connector at one end and a male 5-pin M12 connector at the other end. Available lengths are 0.3 m, 2 m, 5 m and 10 m.

Order code:

**KAB - XM - M12/5F/G - M12/5M/G - CAN**

**IP69K: KAB - XM - M12/5F/G/69K - M12/5M/G/69K - CAN**

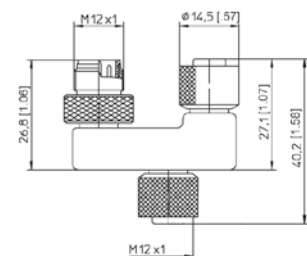
Length in m



**T-piece for bus cable**  
**M12, 5-pin**  
**CAN bus**

Order code:

**KAB - TCONN - M12/5M - 2M12/5F - CAN**



**Terminating**  
**resistance**  
**M12, 5-pin**  
**CAN bus**

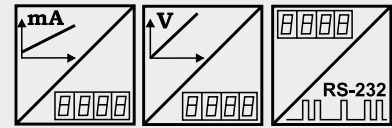
Order code:

**KAB - RTERM - M12/5M/G - CAN**





- For POSICHRON® position sensors with analog Output:  
Voltage 0 ... 10 V  
Current 0 ... 20 mA
- Integrated sensor supply
- 6-digit LED display
- RS-232 interface
- Optional 4 comparator Output
- Easy programming



### Description

PRODIS-ADC is designed for use with analog position sensors to display angles and displacements. A high resolution A/D converter processes signals from sensors with voltage or current output.

The meter is programmable to display values within preset start/end range or values in units as inches, mm or degrees. A tare function or programming lock can be activated with two control terminals.

Sensor excitation is supplied by the meter. With four membrane keys all parameters can be programmed for the special applications. Optional comparator functions with 4 NPN open-collector Output are available, additional 2 of them have relay output.

Specification		
Display		6-digit, 7-segment LED, height 14 mm, decimal point programmable
Counting rate		1 ... 25/s programmable
Measurement accuracy		±0.05 % f.s.
Excitation voltage/current		24 V DC ±10%/150 mA, residual ripple 1% <sub>pp</sub> ; 85-250 V AC, 50-60 Hz/180 mA max.
Sensor excitation		24 V DC/300 mA; voltage divider 5 V/10 mA
Input		Two channels, each for: Voltage 0 ... 10V; max. 24V Current 0 ... 20 mA, load 100 Ω, I <sub>max</sub> <30 mA One input or the difference between both inputs can be chosen by programming
Control input		2 control inputs 24 V, active low
Comparator Output (option)	Relay NPN	250 V AC/5 A, 30 V DC/5 A 24 V max./50 mA to GND
Connection		Terminal strip 12 pole, excitation 3 pole
Temperature coefficient		±20 x 10 <sup>-6</sup> / °C
Operating temperature		-10...+40 °C
Storage temperature		-20...+85 °C
Weight		24 V DC: approx. 250 g; 230 V AC: approx. 400 g

### Order Code PRODIS-ADC

#### Model Name

#### Excitation Voltage

24VDC = 24 V DC

230VAC = 85...250 V AC

#### Options

REL2 = Comparator

DT = Desktop version



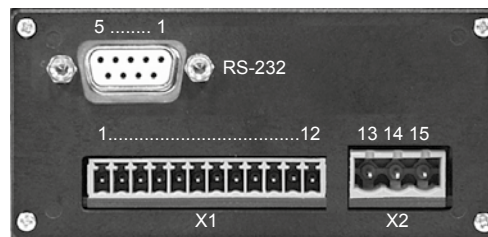
**Order example: PD - ADC - 24VDC - REL2**

**PD-ADC**

Digital Process Meter for analog Sensors

<b>Specifications</b> (continuation)	Weight	24 V DC: approx. 250 g; 230 V AC: approx. 400 g		
	Protection class	Front IP60, rear IP40		
	Humidity	Max. 80 % R. H., non condensing		
	Safety of equipment	Directive 2006/95/EWG:	DIN EN61010-1:2010	
	Electromagnetic compatibility, EMC	Directive 2004/108/EWG:	DIN EN61326-1:2013	
<b>Programmable parameters / value range</b>	Value range offset, liwith values	-999999 to +999999		
	Divisor, multiplier	0 to 999999		
	Other programmable parameters	Decimal point position, display brightness		
	Control input terminals	Key lock, display value hold, tare function		
<b>Wiring basic unit</b>	<b>Signals</b>	<b>Connector X1 pin no.</b>	<b>Connector X2 pin no.</b>	
	Sensor excitation +U <sub>B</sub> 24 V	1		
	Sensor excitation 0 V (GND)	2		
	Control input terminal 1: tare function	3		
	Control input terminal 2: programming lock	4		
	Voltage input terminal 0 ... 10 V, channel 1	5		
	Voltage input terminal 0 ... 10 V, channel 2	6		
	Current input terminal 0 ... 20 mA, channel 1	7		
	Current input terminal 0 ... 20 mA, channel 2	8		
	Voltage divider input terminal, channel 1	9		
	Voltage divider input terminal, channel 2	10		
	Reference voltage 5 V for voltage divider	11		
	GND	12		
	PD-ADC-24VDC Excitation +24 V		13	
	Excitation 0 V (GND)		14	
	PD-ADC-230VAC Excitation		13, 15	
	Protective ground		14	

Rear view without comparator Output



<b>RS-232 interface</b>	Level	RS-232: ±8 V, galvanically isolated	
	Data format	1 start bit, 8 data bits, 1 stop bit, no parity	
	Transmission rate	9600 Baud	
	<b>Signals</b>	<b>Connector X3, Pin No.</b>	<b>D-Sub, Pin No.</b>
	TxD	17	2
RxD	16	3	
GND	18	5	

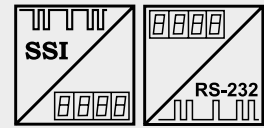
For rear view with comparator Output and outline drawings see pages 88 and 89.

**PD-SSI**

**Digital Process Meter for Sensors with SSI output**



- For POSICHRON® position sensors with SSI output
- Integrated sensor supply
- 6-digit LED display
- RS-232 interface
- Easy programming



**Description**

PRODIS®-SSI is designed for use with SSI position sensors to display angle and displacement. Via the CLOCK lines, a sequence of pulses will be transmitted, the input DATA lines will read the sensor's serial bit sequence. The meter is programmable to display values within preset start/end range or values in units as inches, mm or degrees. A tare function or programming lock can be activated with two control terminals.

Sensor excitation is supplied by the meter. With four membrane keys, all parameters can be programmed for the special applications.

Specifications		
Display	6-digit, 7-segment LED, 14 mm high, decimal point programmable	
Sampling rate	100/s	
Excitation voltage/current	24 V DC $\pm 10\%$ /150 mA, residual ripple 1% <sub>pp</sub> ; 85-250 V AC, 50-60 Hz/180 mA max.	
Sensor excitation	24 V DC/300 mA or 5 V DC/800 mA	
Inputs	DATA, $\overline{\text{DATA}}$ (RS422)	
Output	CLOCK, $\overline{\text{CLOCK}}$ (RS422)	
Control inputs	2 control inputs 24 V, active low	
Connection	Terminal strip 12-pole, excitation 3-pole	
Operating temperature	-10 ... +40 °C	
Storage temperature	-20 ... +85 °C	
Weight	24 V DC: approx. 250 g; 230 V AC: approx. 400 g	

**Order Code PRODIS-SSI**

**Model name**

**Excitation Voltage**

24VDC = 24 V DC

230VAC = 85...250 V AC

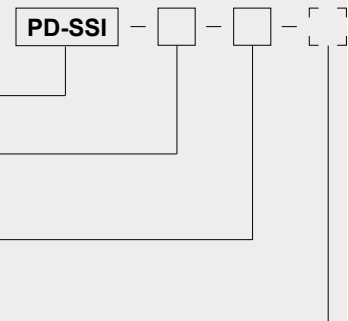
**Sensor Excitation**

G24V = 24 V DC

G5V = 5 V DC

**Options**

DT = Desktop version



**Order example: PD - SSI - 230VAC - G24V**



**PD-SSI**

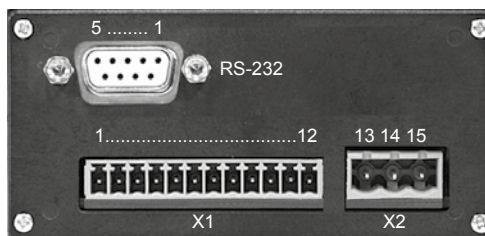
Digital Process Meter for Sensors with SSI output

<b>Specifications</b> (continuation)	Protection class	Front IP60, back IP40
	Humidity	Max. 80 % r.h., non condensing
	Safety of equipment	Directive 2006/95/EWG: DIN EN61010-1:2010
	Electromagnetic compatibility, EMC	Directive 2004/108/EWG: DIN EN61326-1:2006

<b>Programmable Parameters / Value range</b>	Value range offset	-999999 to +999999
	Divisor, multiplier	0 to 999999
	Other programmable parameters	Decimal point position, display brightness
	Programmable SSI parameters	Gray/dual code, sign, sampling rate, data format
	Control inputs	Key lock, display value hold, tare function

<b>Wiring basic unit</b>	<b>Signals</b>	<b>Connector X1 pin no.</b>	<b>Connector X2 pin no.</b>
	Sensor excitation +U <sub>B</sub> (24 V or 5 V)		1
Sensor excitation 0 V (GND)		2	
Control input 1: tare function		3	
Control input 2: programming lock		4	
Not used		5 / 6	
Output CLOCK		7	
Output $\overline{\text{CLOCK}}$		8	
Input DATA		9	
Input $\overline{\text{DATA}}$		10	
Do not connect!		11	
GND		12	
PD-SSI-24VDC			
Excitation +24 V			13
Excitation 0 V (GND)			14
PD-SSI-230VAC			
Excitation			13, 15
Protective ground			14

Rear view without comparator Output



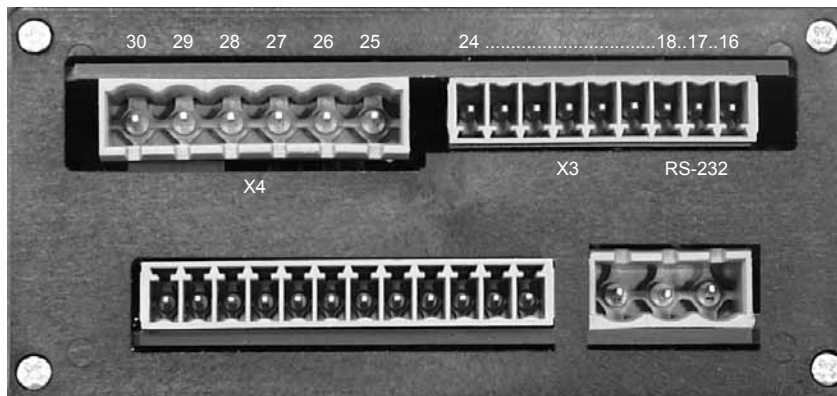
<b>RS-232 interface</b>	Level	RS-232: ±8 V, galvanically isolated	
	Data format	1 start bit, 8 data bits, 1 stop bit, no parity	
	Transmission rate	4800 / 9600 / 19200 / 115200 Baud	
	<b>Signals</b>	<b>Connector X3, pin no.</b>	<b>D-Sub, pin no.</b>
	TxD	17	2
	RxD	16	3
GND	18	5	

Outline drawings see the following pages.

**PRODIS®**  
**Digital Process Meter**

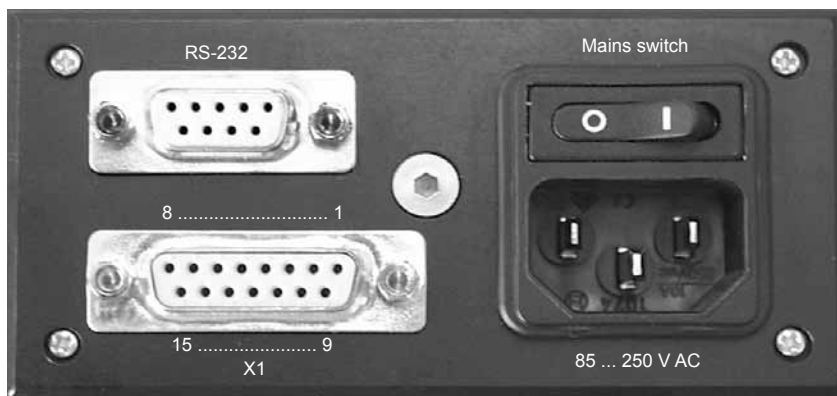


Rear view with comparator Output



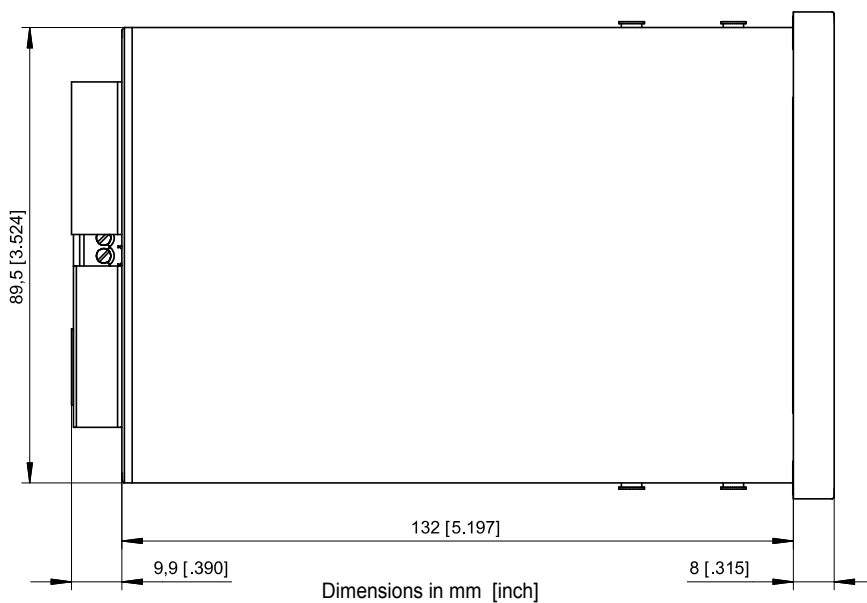
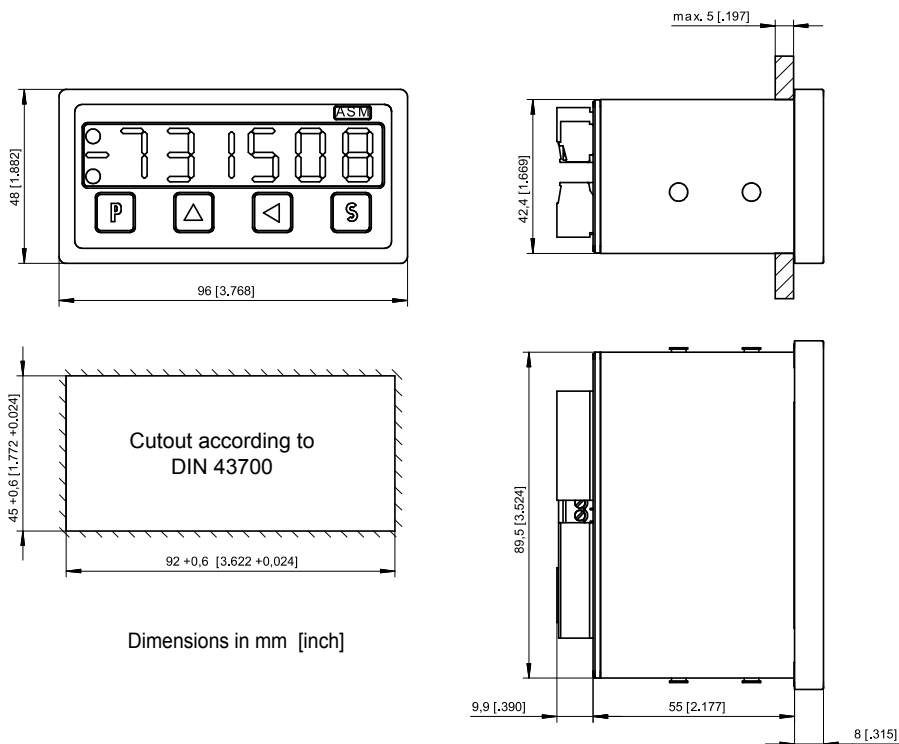
Comparator function (option)	Comparator	Comparator output	Relay	Connector X4 pin no.	LED
	NPN Collector	Connector X3 pin no.			
Comparator 1	NPN1	20	Relay 1	25 27 26	LED1
			NO NC Common		
Comparator 2	NPN2	21	Relay 2	28 30 29	LED2
			NO NC Common		
Comparator 3	NPN3	22			
Comparator 4	NPN4	23			
	NPN GND	24			
	NPN U <sub>B</sub> (+24V)	19			

Desktop version (option)



Wiring of connector X1 see table at page 85 (PD-ADC) resp. page 87 (PD-SSI).

Outline drawing



PD-XXX-230VAC

Dimensions informative only.  
For guaranteed dimensions consult factory.