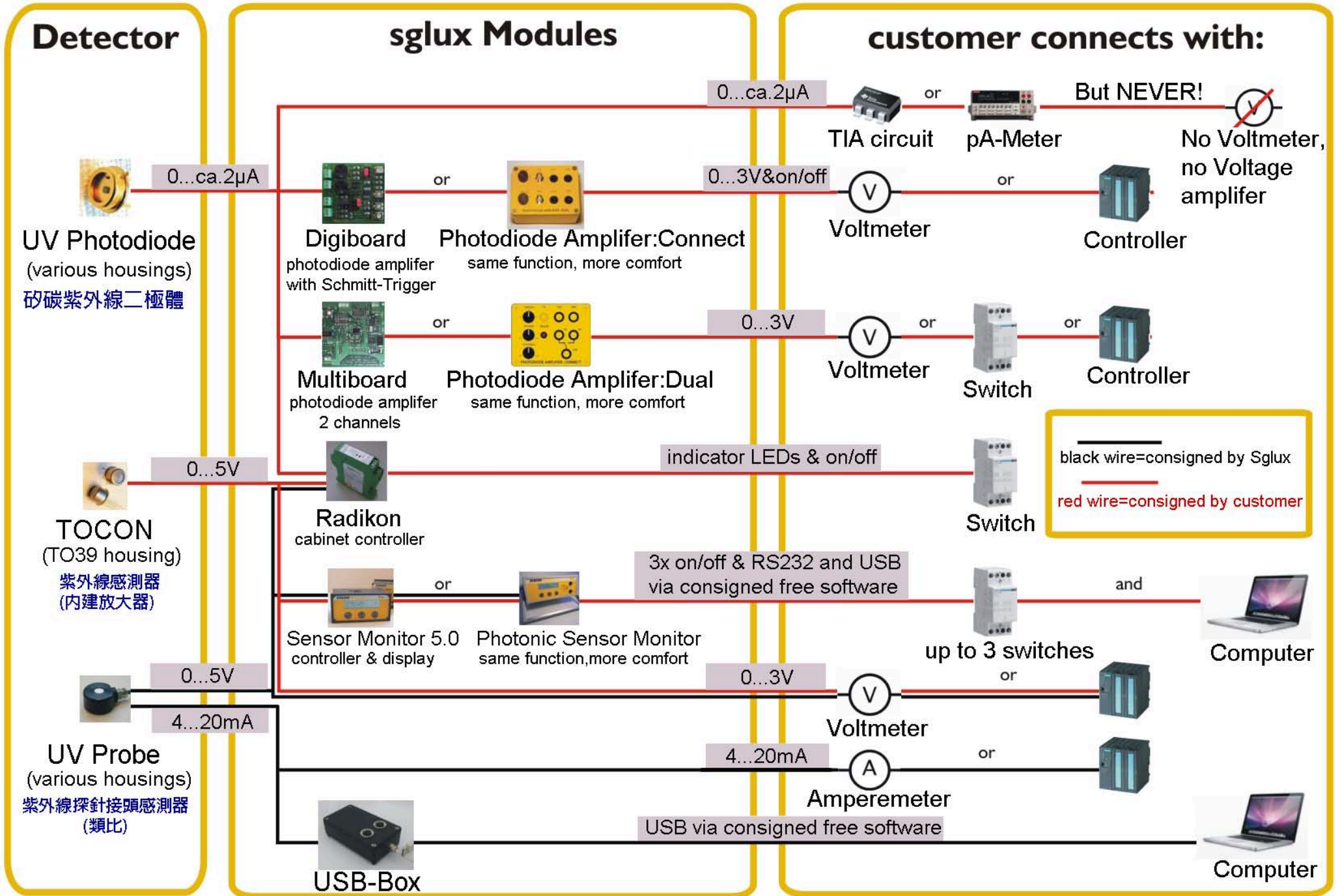


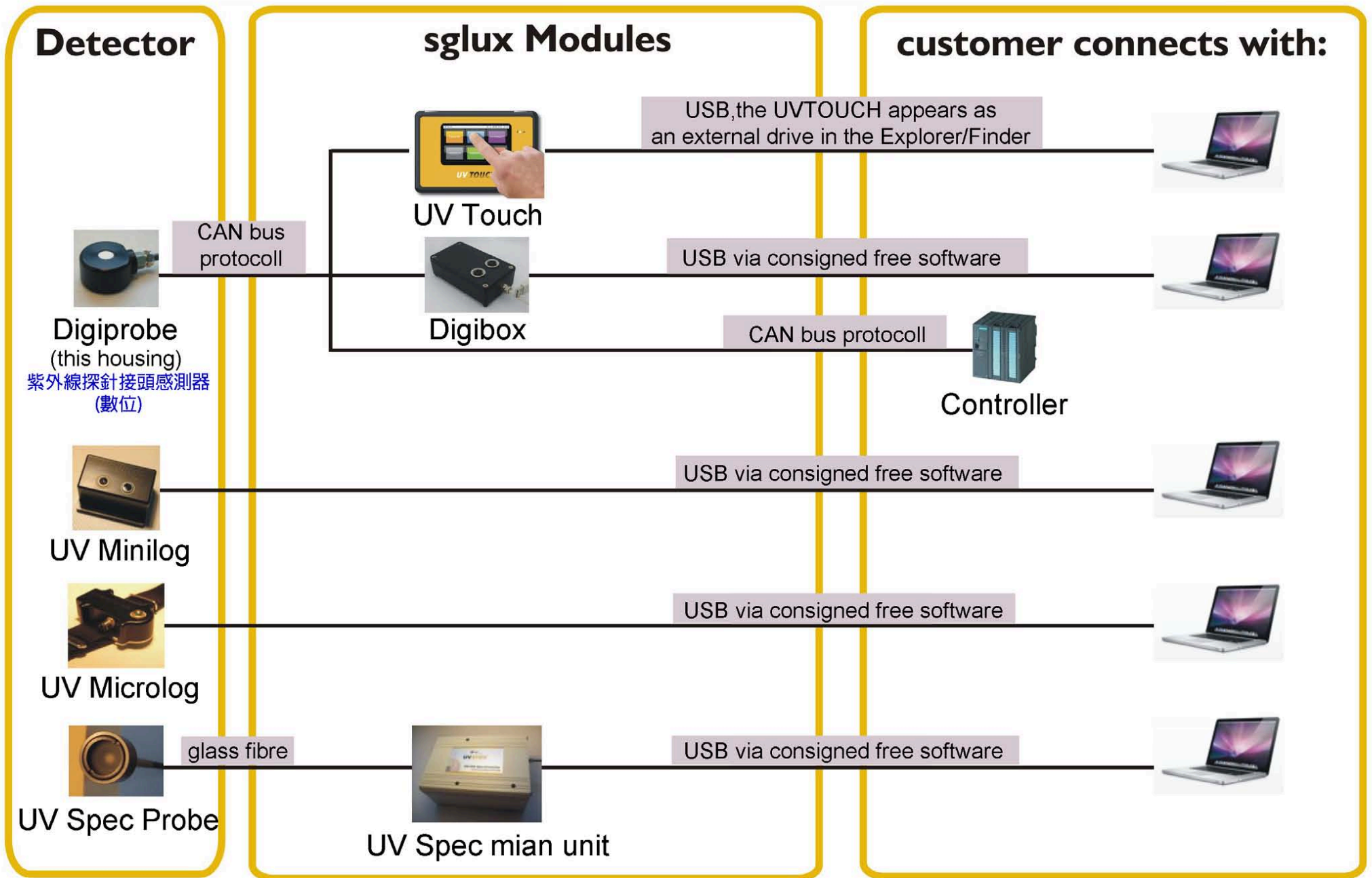
# Sglux UV Sensors 產品連接圖 1 (Analog Sensors, Amplifiers, Controllers)

SUNSTAR 传感与控制 <http://www.sensor-ic.com/> TEL:0755-83376549 FAX:0755-83376182 E-MAIL:szs20@163.com



# Sglux UV Sensors 產品連接圖 2 (Digital Sensors, Meters, Dataloggers)

SUNSTAR 传感与控制 <http://www.sensonic.com/> TEL: 0755-83376549 FAX: 0755-83376182 E-MAIL: sales2004@163.com





# sglux GmbH product overview

SUNSTAR传感与控制 <http://www.sensor-ic.com/> TEL:0755-83376549 FAX:0755-83376182 E-MAIL: [szs@2009163.com](mailto:szs@2009163.com)



- UV Photodiodes
- UV TOCONs (with pre-amp)
- UV Probes
- UV UV Radiometers
- UV Controllers
- UV Dataloggers
- Photodiode Amplifiers

## 矽碳紫外線二極體

**UV Photodiodes**  
0.06 mm<sup>2</sup> to 36 mm<sup>2</sup> area SiC photodiodes  
with or without filters, various housings

## 紫外線感測器(內建放大器)

**UV TOCONs**  
SiC UV hybride detector with pre-amplifier  
UV detection from 1,8 pW/cm<sup>2</sup> up to 18 W/cm<sup>2</sup>  
with or without filters

## 紫外線探針接頭感測器(類比/數位)

**UV Sensor Probes**  
various housings for different applications  
high res. CAN bus based version available

## 紫外線輻射計

**UV Radiometers**  
full Touch Screen control  
full digital signal conversion  
datalogging function

## 紫外線控制器

**UV Controllers**  
Radiation Controllers and Monitors

## 紫外線數據記錄器

**UV Dataloggers**  
Small and lightweight dataloggers

## 紫外線二極體放大器

**Photodiode Amplifiers**  
link between the small current of a photodiode  
and usually applied signal analysis technology  
such as controllers or multimeters

### Product Feature

Photodiode Current Output	pA – nA - μA					
Voltage Output (0...5V)		0...5V	0...5V		0...5V	0...5V
Current Output (4...20mA)			4...20mA			4...20mA
Digital Output (USB, CAN)			CAN, USB			frequency
Protective steel housing			yes	yes	yes	
Display				yes	yes	
Display with touch screen				yes		
Portability				yes		yes
Temperature measurement			yes	yes		yes
Dual Channel				yes	yes	yes
Datalogging / PC Connectivity				yes	yes, with PC	yes
Dose measurement function				yes	yes	yes
Output Relay terminal					3	yes
Working temperature °C	-55 / +170	-25 / +85	-20 / +80 (+170)	-20 / +50 (+170)	-25 / +85	-15 / +65